

 **SFA** CANADA



MACERATORS • GRINDERS • LIFT STATIONS
DRAIN AND CONDENSATE PUMPS

Saniflo
PRODUCT CATALOG

A PUMP COMPANY SINCE 1958



SFA Saniflo offers a range of macerating and grinding pump systems that greatly reduce the size of fecal matter and waste. Larger diameter discharge lines are unnecessary; in fact, all that is needed is a 3/4" or 1" diameter discharge line.

The flexibility of Saniflo systems make any sanitary application you can imagine possible. Saniflo offers the most reliable and cost-effective solutions for any job, whether it's a small project requiring drain or condensate

pumps to more complex engineered jobs, even whole buildings with multiple fixture units. You are no longer limited to locations where downhill drainage or gravity evacuates waste. You don't even need to be in close proximity to the main waste pipe.



ABOUT SFA

SFA SANIFLO - whose parent company originated macerating plumbing technology — offers a complete line of waste and drainage pumping systems for residential and commercial applications. SFA developed its innovative, “above-floor plumbing” technology more than a half-century ago and has led its commercialization worldwide.



Today, the company markets macerating technology through 29 subsidiaries doing business in more than 70 countries worldwide and has sold more than nine million units worldwide since 1958. SFA Saniflo markets through independent sales agents throughout North America, and the product line is currently available at distributor and dealer locations throughout the United States, Canada and Mexico.

For more information, contact Saniflo at 1-800-571-8191 (US) or 1-800-363-5874 (CDN). Or visit the Saniflo website at saniflo.com (US) or saniflo.ca (CDN).

All products comply with North American standards under the ASME A112.3.4 Macerating Toilet Systems standard and CSA-C22.2 (UL778) Motor Operated Water Pumps standard. Toilet systems meet the EPA criteria for WaterSense high performance and water-efficient toilets.

INDEX

Superior Quality Standards	4
Group SFA	5
Operating Principle	6
Hydraulic Technologies	7
Toilet Systems and Sizing	8-9
Accessories	28
Reasons Not to Break Concrete	54
Saniflo's FAQs	55
HALF BATHROOM	10
Saniaccess® 2	11
Sanicompact®	12
Sanicompact® 4C NEW	13
Sanicompact® Comfort	14
Case Study	15
FULL BATHROOM	16
Saniaccess® 3	17
Saniplus®	18
Sanipack®	19
Sanibest® Pro	20
Sanigrind® Pro	21
Case Studies	22-23
RETROFIT & COMPLETE PUMP KITS	24
Case Study	25
Sanipit® 24 GR NEW	26
Sanipit® 24 GR CB NEW	27
LIFT STATIONS	29
Sanicubic® 1	30-31
Sanicubic® 2	32-33
Sanicubic® 1VX	34-35
Sanicubic® 2VX	36-37
Case Studies	38-39
DRAIN PUMPS	40
Sanishower®	41
Saniswift®	42
Saniswift® Pro	43
Sanivite®	44
Sanicom® 1	45
Sanicom® 2	46
Case Studies	47-49
CONDENSATE PUMPS	50
Sanicondens®	51
Sanicondens® Best Flat	52
Sanineutral®	53



MADE IN FRANCE TO SUPERIOR QUALITY STANDARDS

Since 1958, the legendary Sanibroyeur and its rich brand recognition is nestled in this Oise village on a more than 8 hectares site. Daily, about 300 people get together and work hard to continue building its notoriety. Over the years, the Brégy site has seen significant investment that has transformed this simple assembly line into a near-autonomous operation.

TESTING AND DESIGN

It's in the laboratory that the SFA products are designed and come to life. Nothing beats a series of tests to make sure the products are effective and durable.



COMPONENTS ASSEMBLY

On site, robots and humans work together towards a common objective. When the work requires finesse, operators assemble parts, but when parts are difficult to move or assemble, robots come to the rescue.



WINDING AND MOTOR MANUFACTURING

SFA has integrated winding and motor assembly since 1960.

Entirely under robot control, a digital camera controls part of the elements to ensure optimal quality every step of the way.



PRODUCTION OF COMPOSITE AND RUBBER PARTS

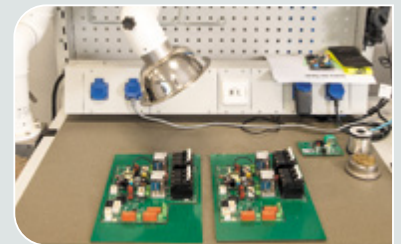
To date, the plastics processing department consists of 33 machines and a total of 760 molds.

From the flow of the plastic pellets from the silos to the machines, to the melting and molding of the parts, the process is fully automated.



MANUFACTURING OF ELECTRONIC BOARDS

In the interest of superior quality, SFA has recently integrated the production of its electronic boards at the Brégy site. These boards are then assembled by the operators.



LOGISTICS

Shipping is also handled at Brégy. Our infrastructure allows us to ship our products everywhere in the world.



A 3,200 square foot showroom was designed, situated next to a 430 square foot training room for the SFA Academy.

The showroom is open to professionals (distributors, installers, specifiers, etc.), by appointment. The showroom showcases about 50 SFA products, 6 of which are live and operational: Sanifloor+, Sanipro Xr Up, Saniflush, Sanismart, Sanicompact Pro, and Sanicompact 43.

Also on display, our range of below-ground and above-ground lift stations, cellar pumps, and even our grease traps and separators.



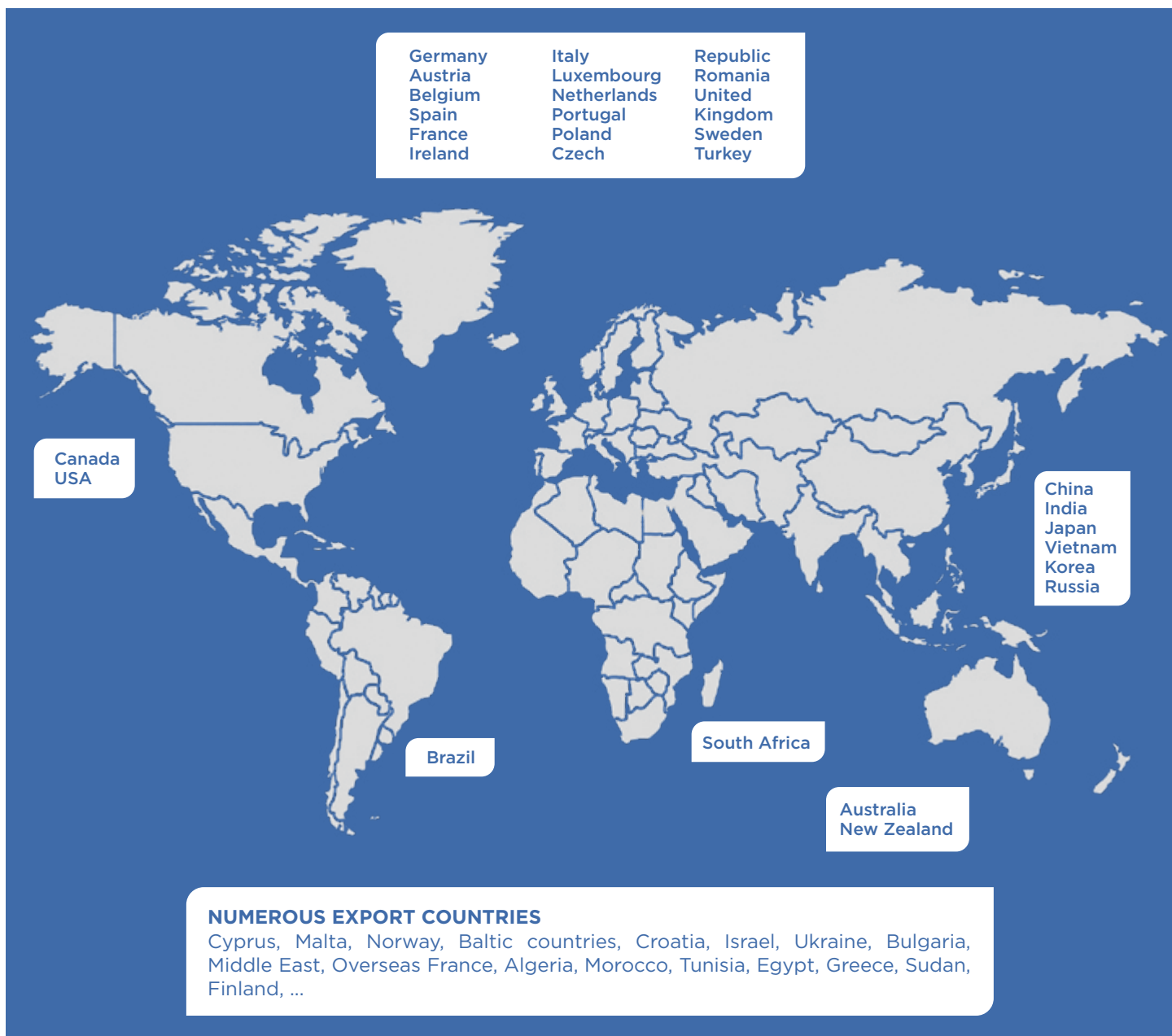
GROUP SFA: GLOBAL LEADER IN SANITARY PUMP EQUIPMENT

For more than 65 years, Group SFA's subsidiaries have united to bring our professional clients and end users more sanitary solutions to their daily lives. They provide much more than technological know-how; they provide innovative, reliable, and easy to implement solutions.



AN INTERNATIONAL PRESENCE

Found in 29 countries on five continents, the Group continues its international growth through branches that have forged partnerships with local industry professionals. These are carefully selected and trained to maintain the Group's reputation of performance, quality, and service.



NUMEROUS EXPORT COUNTRIES

Cyprus, Malta, Norway, Baltic countries, Croatia, Israel, Ukraine, Bulgaria, Middle East, Overseas France, Algeria, Morocco, Tunisia, Egypt, Greece, Sudan, Finland, ...

OPERATING PRINCIPLE OF THE SANIFLO SYSTEM

Above-floor plumbing technology eliminates the need to break the concrete or floor which means no disruptive or destructive remodeling. Floors, walls, and structural integrity remain intact while the project time is reduced and construction mess is virtually eliminated.



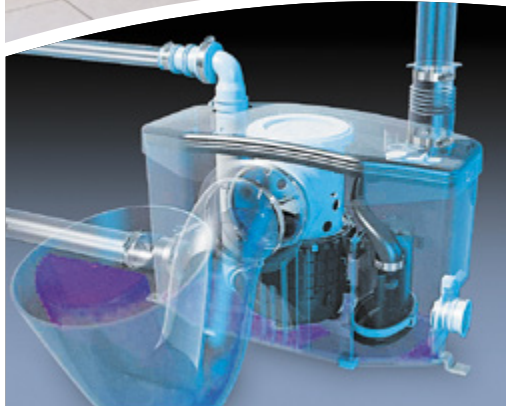
BEFORE



AFTER

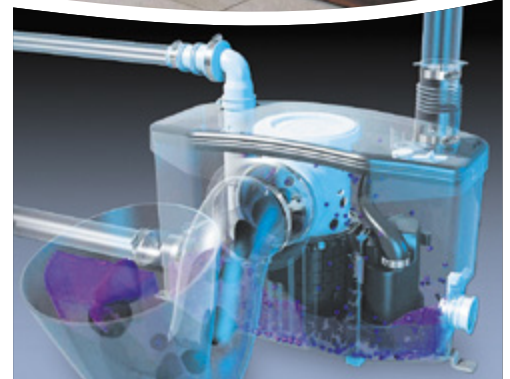
1

When the toilet is flushed, the water level rises and the Saniflo macerator motor turns on automatically.



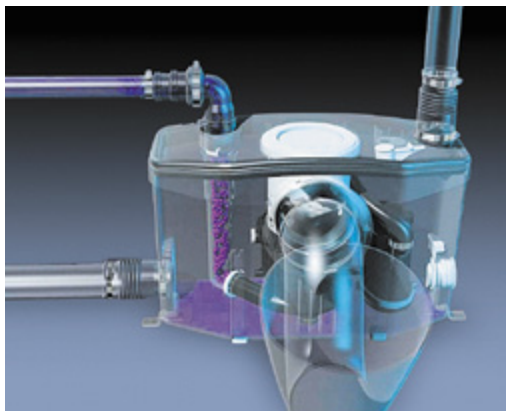
2

The blades driven by the motor grind the contents into tiny particles in 3 or 4 seconds.



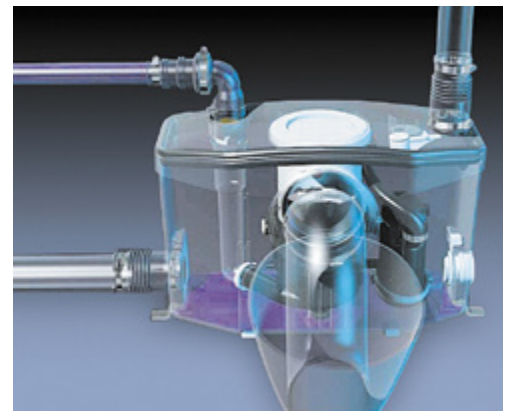
3

The finely ground particles are pumped through a rigid pipe just 3/4 or 1 inch in diameter.



4

The macerator is now empty (apart from the water seal) and the system is ready for use again.



Scan with your smart phone to watch a video clip of the Saniflo system operating principle.

SANIFLO

HYDRAULIC TECHNOLOGIES FROM EXPERTISE TO PERFORMANCE

The very basis of our powerful flowrates is our hydraulic system. It allows for the free flow of fluids and loads while allowing an efficient, controlled, and powerful discharge.

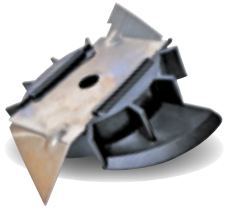
SFA is constantly innovating to develop new technologies adapted to every type of fluid and condition, and therefore ensure the optimal performance of the pumps, as well as their durability.



WHAT IS A MACERATOR?

Saniaccess® 3 Saniplus® Sanipack® Saniaccess® 2

To “macerate” is to soften and break in pieces. Our Saniflo macerating systems use a stainless steel rotating blade to **liquefy human waste and toilet paper**. When mixed with flushing water the waste is pumped into a sanitary sewer as a fine slurry.



WHAT IS A GRINDER?

Sanibest® Pro Sanigrind® Pro Sanicubic® 1 Sanicubic® 2 Sanipit® 24 GR

The grinder will accept accidental flushing of sanitary items such as **feminine hygiene products**. The heavy-duty stainless steel blade grinds up the waste particles (i.e. toilet use, shower, washing machine, etc.) and pumps it into a sanitary sewer as a fine slurry.



WHAT IS A VORTEX?

Sanicubic® 1VX Sanicubic® 2VX

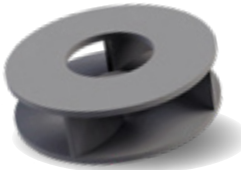
A specially designed pump impeller that creates a whirlpool, or vortex action as the effluent enters the lift station enclosure. This technology keeps solids away from the impeller as it turns, pushing waste rapidly through the pump and to the discharge pipe. In doing so, the **possibility of clogging is substantially reduced**.



WHAT IS A MULTI-CHANNEL IMPELLER?

Sanicom® 1 Sanicom® 2

Designed to accommodate far greater flows. The multi-channel impeller has one of the highest efficiencies compared to other types. Suitable to **handle gray water from commercial/industrial effluents and applications**.



WHAT IS A MULTI-CUTTER IMPELLER?

Sanicompact® Sanicompact® 4C Sanicompact® Comfort

Similar to our stainless steel macerating blade, our multi-cutter impeller was **designed to handle human waste and toilet paper from residential applications**. This two-in-one design was developed to adapt to the compact motor assembly that is equipped in our Sanicompact range.



SANIFLO'S TOILET SYSTEMS



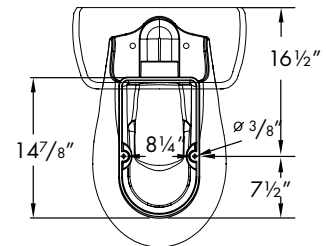
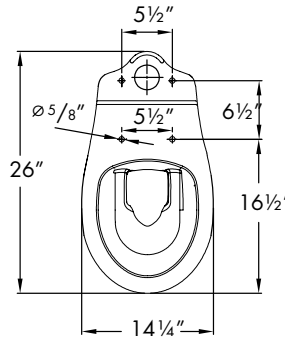
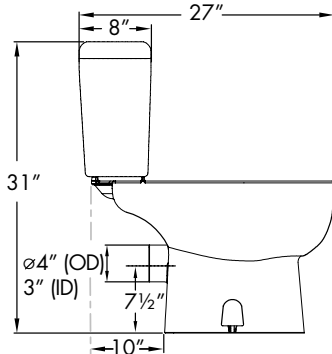
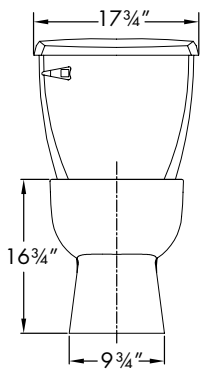
Saniflo's vitreous china toilets are designed to be durable with a high gloss finish for an easy-to-clean surface. These floor mounted, rear discharge toilets have the desired height to meet comfort and aesthetics to provide a unique style. Saniflo's high efficiency toilets use 1.28 gallons per flush (4.8 lpf) and are recognized by the EPA's water-saving WaterSense program. Complete toilet system comes with everything needed for installation **including a stylish soft-close toilet seat.**



ROUND FRONT TOILET BOWL • Part No. 083 INSULATED TOILET TANK • Part No. 005

TECHNICAL SPECIFICATIONS

- Vitreous wash-down style bowl with integral p-trap which uses **1.28 GPF/4.8 LPF**.
- Rear-outlet white bowl with **16-3/4" seating height** for added comfort.
- **Insulated tank** to prevent condensation supplied with fill and flush valves.
- Bowl and tank come equipped with all the **necessary mounting hardware**.
- **Large 3" trapway** with water spot measuring 4-1/2" x 3-3/4".
- IAPMO Listed / EPA Watersense labeled / 1 year limited warranty.
- MaP rating: **>=800 (Highly recommended)**.

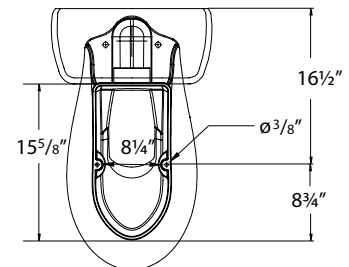
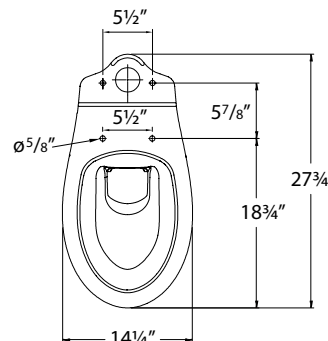
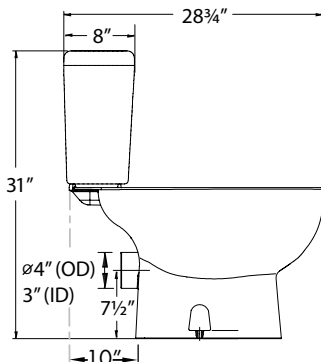
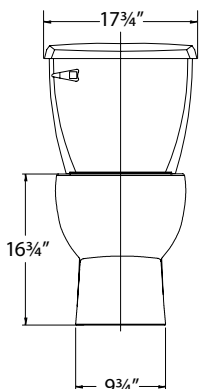


Full compliance with the americans with disabilities ACT (ADA)

ELONGATED FRONT TOILET BOWL • PART NO. 087 INSULATED TOILET TANK • PART NO. 005

TECHNICAL SPECIFICATIONS

- Vitreous wash-down style bowl with integral p-trap which uses **1.28 GPF/4.8 LPF**.
- Rear-outlet white bowl with 16-3/4" seating height is **ADA compliant**.
- **Insulated tank** to prevent condensation supplied with fill and flush valves.
- Bowl and tank come equipped with all the **necessary mounting hardware**.
- **Large 3" trapway** with water spot measuring 4-1/2" x 3-3/4".
- IAPMO Listed / EPA Watersense labeled / 1 year limited warranty.
- MaP rating: **>=800 (Highly recommended)**.





For use with **Saniaccess® 3, Saniplus®, Sanibest® Pro and Saniaccess® 2**



-sizing the best product

Saniflo offers several models for different applications and requirements. Choosing the best product that meets your needs is the first step towards completing your project. From residential to commercial applications, for either gray or black water, Saniflo is with you every step of the way!

 GRAY WATER Water from sinks, showers, washing machines, HVAC appliances, etc.		
RESIDENTIAL		
Sanishower®	Saniswift®	Sanicondens®
COMMERCIAL		
Sanicom® 1	Sanicom® 2	Sanivite®
Sanicondens® Best Flat		Saniswift® Pro

 BLACK WATER Wastewater containing human waste typically coming from toilets.			
RESIDENTIAL			
HALF BATHROOM			
Saniaccess® 2	Sanicompact®	Sanicompact® Comfort	
FULL BATHROOM			
Saniaccess® 3	Saniplus®	Sanipack®	
MULTIPLE FIXTURES			
Sanicubic®1	Sanicubic® 1 VX	Sanicubic®2	Sanicubic® 2 VX
COMMERCIAL			
HALF OR FULL BATHROOM			
Sanibest® Pro		Sanigrind® Pro	
MULTIPLE FIXTURES			
Sanicubic®1	Sanicubic® 1 VX	Sanicubic®2	Sanicubic® 2 VX

HOW MANY GALLONS PER MINUTE DOES THE PUMP NEED TO EVACUATE?

Calculate the total gallons per minute (GPM) by adding the flow rate from each fixture being drained into the pump.

WHAT IS THE TOTAL HEAD THE PUMP NEEDS TO OVERCOME?

Calculate the total head by adding the vertical lift and friction losses throughout the discharge pipe including valves and elbows.

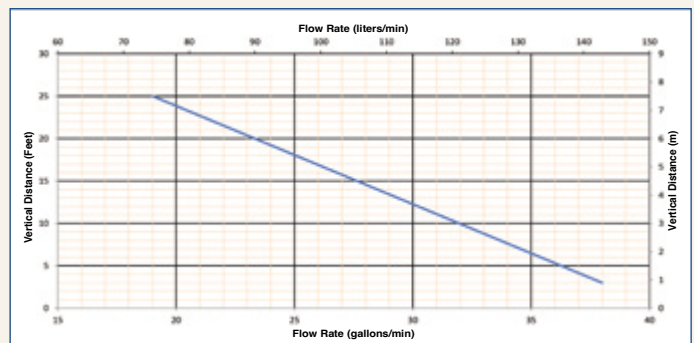
Using the pump curve, verify if the requirements are within the pump capabilities

- Total flow rate
- Total Head = Vertical lift + Friction (head) losses

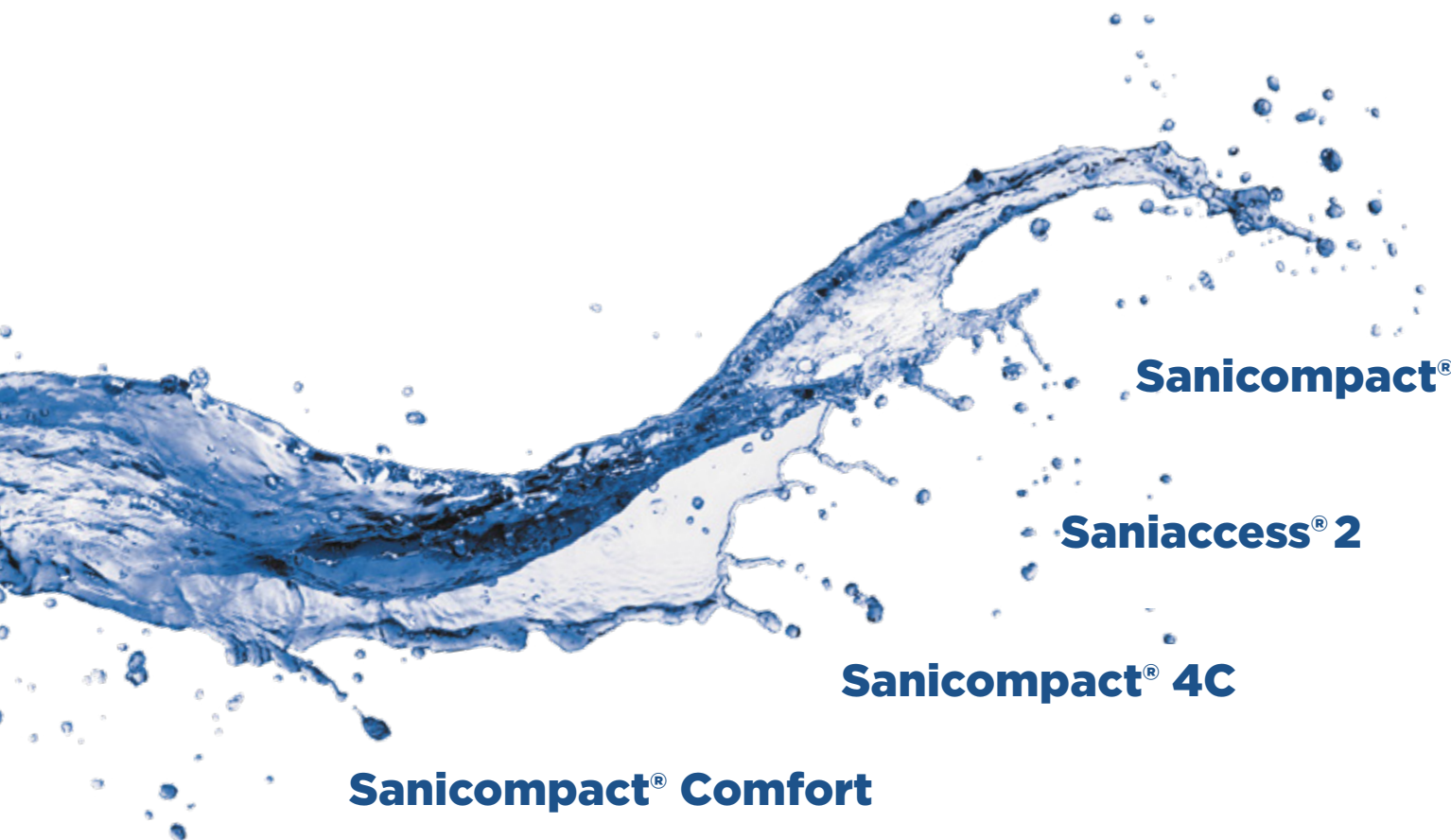
LET'S DO AN EXAMPLE!

- We need to evacuate a complete bathroom in a commercial application which includes a toilet, a shower/bathtub and two sinks. **Total estimated flow rate: 12 GPM / 45 LPM.**
- The system must pump up 20 Ft vertical and 10 Ft across through a 3/4" or 1" diameter pipe without gravity slope. **Total estimated head loss = 23 Ft.**

By reviewing the pump curve, the **Sanibest® Pro** and **Sanigrind® Pro** systems meet the requirements for this application.



HALF BATHROOM

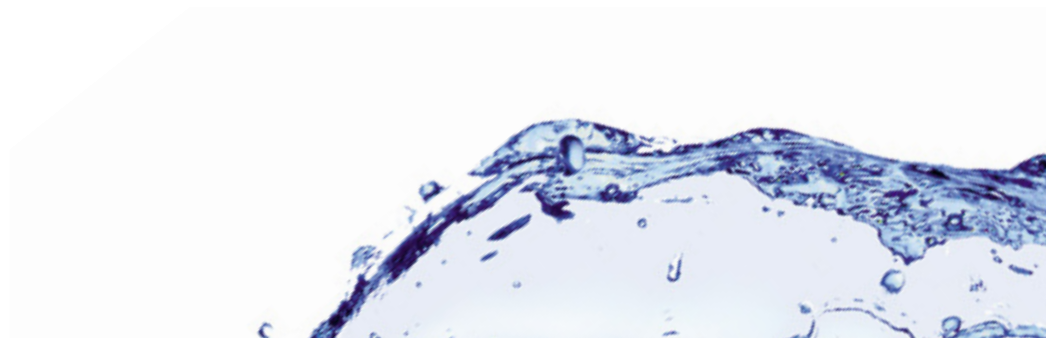


Sanicompact®

Saniaccess® 2

Sanicompact® 4C

Sanicompact® Comfort





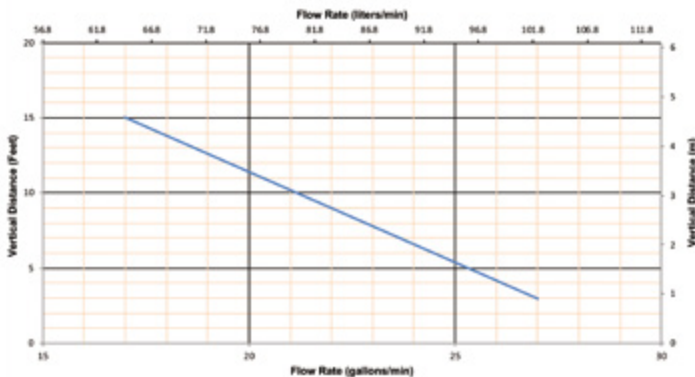
CONNECTIONS

- Discharge: 3/4" or 1"
- Inlet: 1-1/2"
- Vent: 1-1/2"
- Easy-access to blade, pressure chamber/electrical parts for easy service/replacement.

PRODUCT FEATURES

- Install a half bathroom up to 15 feet below the sewer line, or even up to 150 feet away.
- Macerating system for residential applications.
- The blade is made out of a hardened stainless steel material which eliminates the need for any service or replacement.

PUMP CURVE



OPTIONAL ACCESSORIES

Extension Pipe
(Part N° 030)
See page 28



Descaler
(Part N° 052)
See page 28



TECHNICAL SPECIFICATIONS

Pump type: Macerator

Electrical: 120 V - 60 Hz / 4.5 Amps (Max)

Motor: 0.5 HP oil-filled thermally protected motor

Capacitor rating: 45 microfarad

Operating Temperature: 104°F (110°F Max.)

Power cord length: 51 inches

Noise level: ≤ 53 dBA (Lp) (measured at 3 ft.)

Discharge pipe diameter: 3/4" or 1"

Discharge rate at 15 ft: 17 GPM

Discharge rate at 3 ft: 27 GPM

Shut-off head: 30 ft.

Normal running time: 10-12 seconds

Capacity: 2.3 gallons / 8.7 liters

Inlets: 1-1/2" (side), 1-1/2" vent (side)

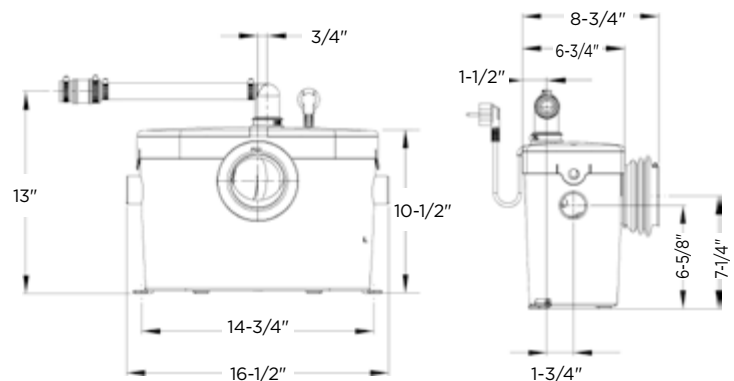
Method of activation: Membrane/microswitch

Weight: 15 lbs / 6.8 kg

Certifying agencies: CSA (IPC, NSPC), IAPMO (UPC)

Connections: Saniflo's rear outlet toilet, sink

DIMENSIONAL DRAWINGS





CONNECTIONS

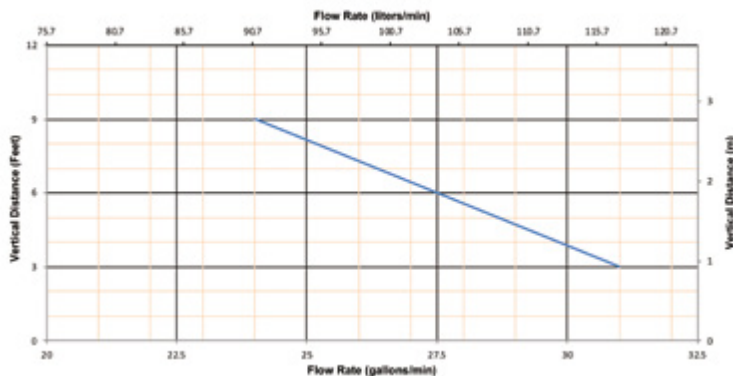
- Discharge: 1"
- Inlet: 1-1/4"

Designed with an internal one-way vent built which eliminates the need to have an external vent pipe

PRODUCT FEATURES

- Install a half bathroom up to 9 feet below the sewer line, or even up to 120 feet away.
- Self-contained macerating system for residential applications.
- The blade is made out of a hardened stainless steel material which eliminates the need for any service or replacement.

PUMP CURVE



OPTIONAL ACCESSORIES

Descaler
(Part N° 052)
See page 28



TECHNICAL SPECIFICATIONS

Pump type: Macerator

Electrical: 120 V - 60 Hz / 7.2 Amps (Max)

Motor: 0.5 HP oil-filled thermally protected motor

Capacitor rating: 45 microfarad

Operating Temperature: 95°F (110°F Max.)

Power cord length: 59 inches

Noise level: ≤ 53 dBA (Lp) (measured at 3 ft.)

Discharge pipe diameter: 1"

Discharge rate at 9 ft: 24 GPM

Discharge rate at 3 ft: 31 GPM

Normal running time: 24 sec (18 sec ECO mode)

Capacity: 0.8 gallons / 3.02 liters

Inlets: 1-1/4" sink connection (on motor case)

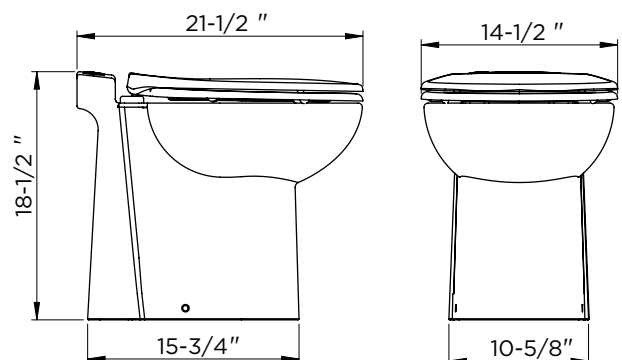
Method of activation: Push button / circuit board

Weight: 64 lbs / 29 kg (Bowl with motor)

Certifying agencies: CSA (IPC, NSPC)

Connections: Sink

DIMENSIONAL DRAWINGS





CONNECTIONS

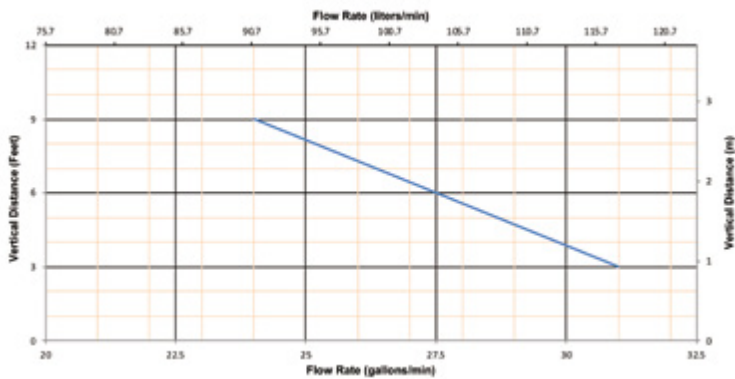
- Discharge: 1"
- Inlet: 1-1/4"

Designed with an internal one-way vent built which eliminates the need to have an external vent pipe

PRODUCT FEATURES

- Install a half bathroom up to 9 feet below the sewer line, or even up to 120 feet away.
- Self-contained macerating system for residential applications.
- The blade is made out of a hardened stainless steel material which eliminates the need for any service or replacement.

PUMP CURVE



OPTIONAL ACCESSORIES

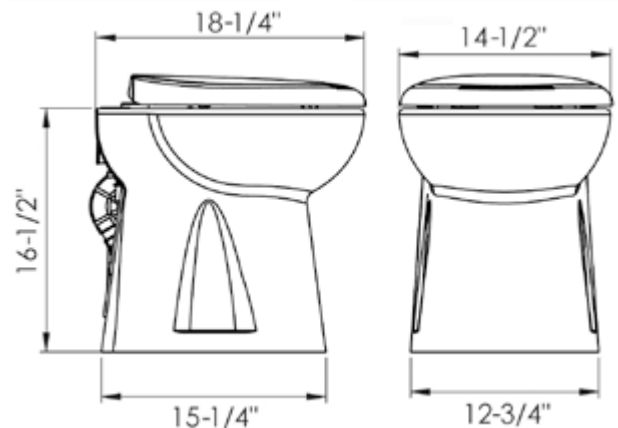
Descaler
(Part N° 052)
See page 28



TECHNICAL SPECIFICATIONS

- Pump type:** Macerator
- Electrical:** 120 V - 60 Hz / 7.2 Amps (Max)
- Motor:** 0.5 HP oil-filled thermally protected motor
- Capacitor rating:** 45 microfarad
- Operating Temperature:** 95°F (110°F Max.)
- Power cord length:** 59 inches
- Noise level:** ≤ 53 dBA (Lp) (measured at 3 ft.)
- Discharge pipe diameter:** 1"
- Discharge rate at 9 ft:** 24 GPM
- Discharge rate at 3 ft:** 31 GPM
- Normal running time:** 24 sec (18 sec ECO mode)
- Capacity:** 0.8 gallons / 3.02 liters
- Inlets:** 1-1/4" sink connection (on motor case)
- Method of activation:** Push button / circuit board
- Weight:** 67 lbs / 30 kg (Bowl with motor)
- Certifying agencies:** CSA (IPC, NSPC)
- Connections:** Sink

DIMENSIONAL DRAWINGS





CONNECTIONS

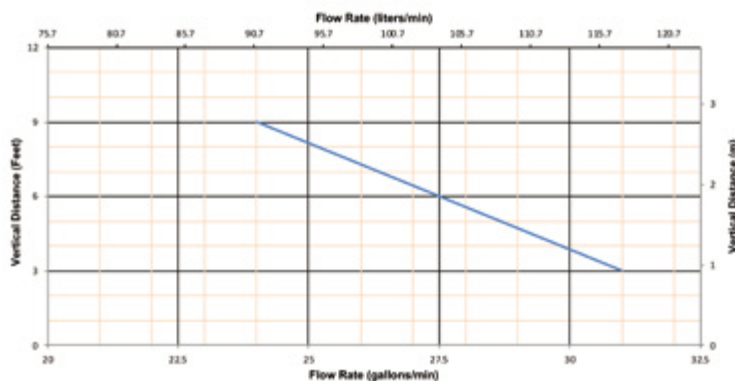
- Discharge: 1"
- Inlet: 1-1/4"

Designed with an internal one-way vent built which eliminates the need to have an external vent pipe

PRODUCT FEATURES

- Install a half bathroom up to 9 feet below the sewer line, or even up to 120 feet away.
- Self-contained macerating system for residential applications.
- The blade is made out of a hardened stainless steel material which eliminates the need for any service or replacement.

PUMP CURVE



OPTIONAL ACCESSORIES

Descaler
(Part N° 052)
See page 28



TECHNICAL SPECIFICATIONS

Pump type: Macerator

Electrical: 120 V - 60 Hz / 7.2 Amps (Max)

Motor: 0.5 HP oil-filled thermally protected motor

Capacitor rating: 45 microfarad

Operating Temperature: 95°F (110°F Max.)

Power cord length: 59 inches

Noise level: ≤ 53 dBA (Lp) (measured at 3 ft.)

Discharge pipe diameter: 1"

Discharge rate at 9 ft: 24 GPM

Discharge rate at 3 ft: 31 GPM

Normal running time: 24 sec (18 sec ECO mode)

Capacity: 0.8 gallons / 3.02 liters

Inlets: 1-1/4" sink connection (on motor case)

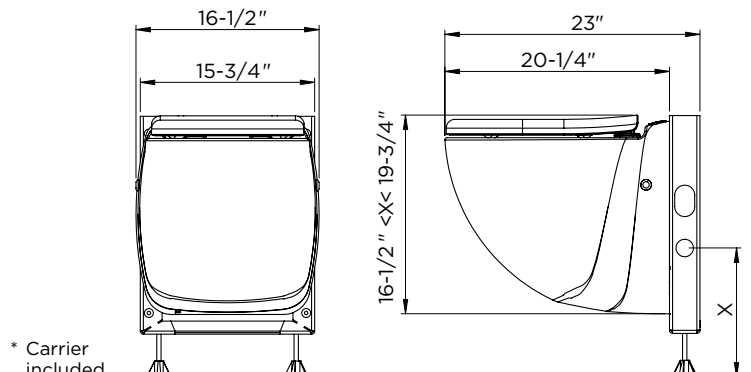
Method of activation: Push button / circuit board

Weight: 72 lbs / 32.7 kg (Bowl with motor)

Certifying agencies: CSA (IPC, NSPC)

Connections: Sink

DIMENSIONAL DRAWINGS



CASE STUDY

SANICOMPACT STORAGE SHED CONVERSION

SFA Saniflo provides solutions for any type of projects

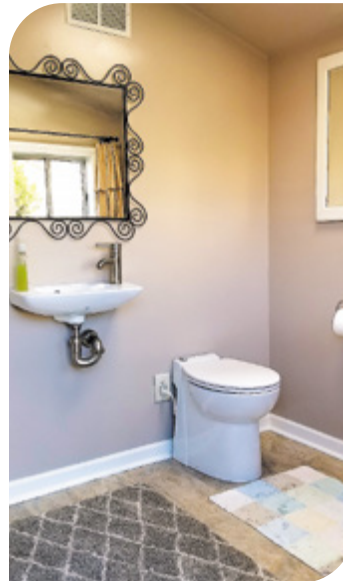
Homeowners create stunning swimming pool half-bath with Saniflo's **Sanicompact**® macerating system without the costly headache of breaking through 30 feet of concrete.

CHALLENGE

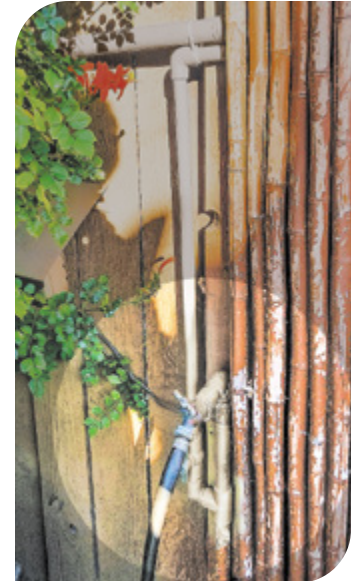
- To install a much-needed bathroom, they would need to break through 30 feet of concrete to run sewer lines from the shed to the house's sewer access pipe.
- Too expensive to tear through that much concrete which would cause a mess for several weeks.

SOLUTION

- Contractor installed Saniflo's **Sanicompact**® which discharged seven feet vertically, where it exits the shed, and then horizontally for 80 feet.
- It took a couple of hours to install the system which has been running for a couple of years without any issues being used almost in a daily basis.



The half-bath inside the converted storage shed, showing the self-contained Sanicompact, dual-flush macerating toilet on the right, next to the small hand-washing sink.



The outdoor spigot (bottom of picture) that was positioned close enough to the shed to serve as a water source.



View of the Gregorich swimming pool and hot tub with the converted 8 x 16-foot storage shed behind the pool.

FULL BATHROOM



Saniaccess® 3

Saniplus®

Sanipack®

Sanibest® Pro

Sanigrind® Pro



CONNECTIONS

- Discharge: 3/4" or 1"
- Inlet: 2"
- Vent: 1-1/2"
- Easy-access to blade, pressure chamber/electrical parts for easy service/replacement.

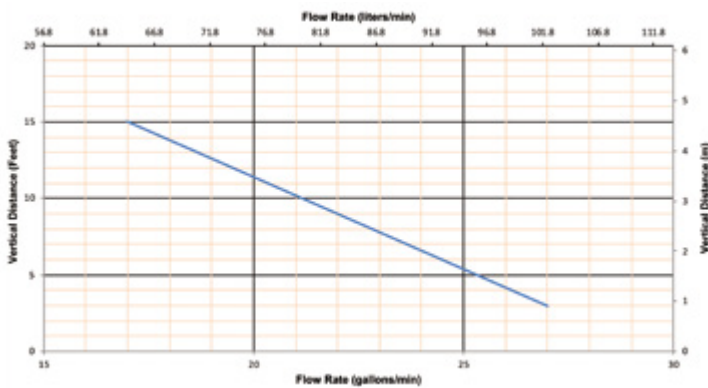
TECHNICAL SPECIFICATIONS

- Pump type:** Macerator
- Electrical:** 120 V - 60 Hz / 4.5 Amps (Max)
- Motor:** 0.5 HP oil-filled thermally protected motor
- Capacitor rating:** 45 microfarad
- Operating Temperature:** 104°F (110°F Max.)
- Power cord length:** 51 inches
- Noise level:** ≤ 53 dBA (Lp) (measured at 3 ft.)
- Discharge pipe diameter:** 3/4" or 1"
- Discharge rate at 15 ft:** 17 GPM
- Discharge rate at 3 ft:** 27 GPM
- Shut-off head:** 30 ft.
- Normal running time:** 10-12s
- Capacity:** 3.1 gallons / 11.7 liters
- Inlets:** 2" (sides), 1-1/2" vent (top)
- Method of activation:** Membrane/microswitch
- Shower/bathtub base height:** 6" min
- Weight:** 18 lbs / 8.2 kg.
- Certifying agencies:** CSA (IPC, NSPC), IAPMO (UPC)
- Connections:** Saniflo's rear outlet toilet, sink, shower/bathtub

PRODUCT FEATURES

- Install a complete bathroom up to 15 feet below the sewer line, or even up to 150 feet away.
- Macerating system for residential/commercial applications.
- The blade is made out of a hardened stainless steel material which eliminates the need for any service or replacement.

PUMP CURVE



OPTIONAL ACCESSORIES

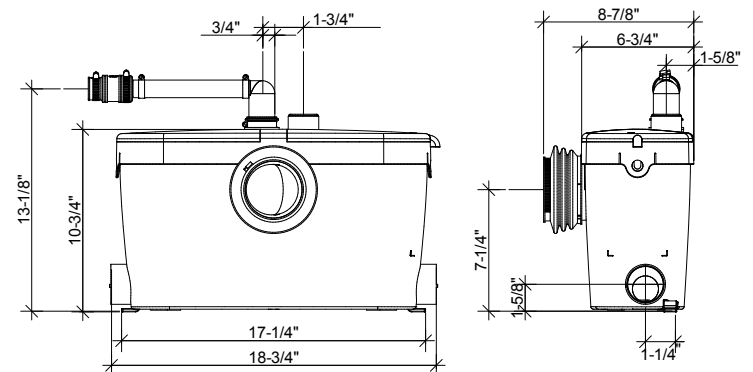
Extension Pipe
(Part N° 030)
See page 28



Descaler
(Part N° 052)
See page 28



DIMENSIONAL DRAWINGS





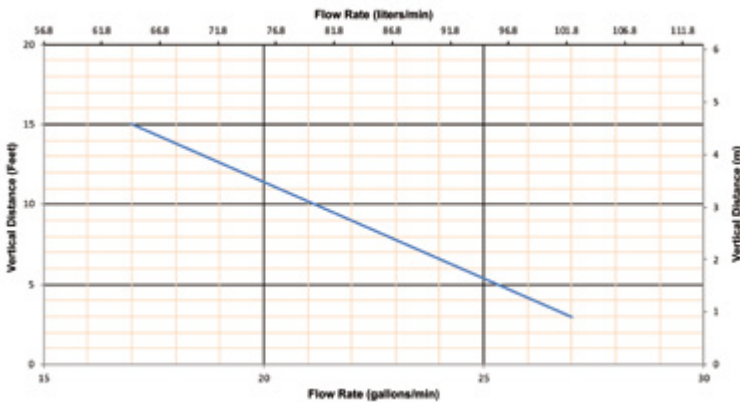
CONNECTIONS

- Discharge: 3/4" or 1"
- Inlet: 2"
- Vent: 1-1/2"

PRODUCT FEATURES

- Install a complete bathroom up to 15 feet below the sewer line, or even up to 150 feet away.
- Macerating system for residential applications.
- The blade is made out of a hardened stainless steel material which eliminates the need for any service or replacement.

PUMP CURVE



OPTIONAL ACCESSORIES

Sanialarm
(Part N° 050)
See page 28



Descaler
(Part N° 052)
See page 28



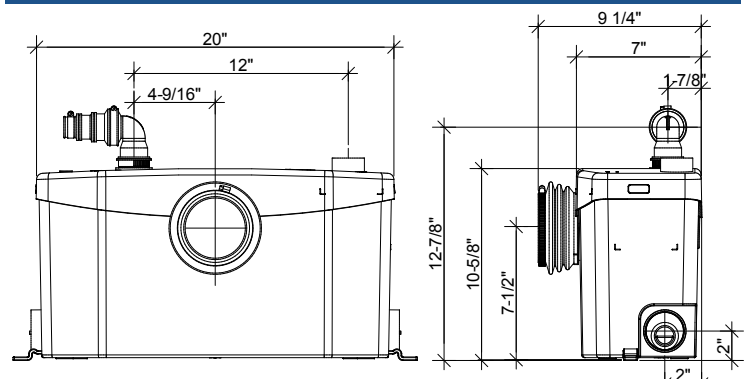
Extension Pipe
(Part N° 030)
See page 28



TECHNICAL SPECIFICATIONS

- Pump type:** Macerator
- Electrical:** 120 V - 60 Hz / 4.5 Amps (Max)
- Motor:** 0.5 HP oil-filled thermally protected motor
- Capacitor rating:** 45 microfarad
- Operating Temperature:** 104°F (110°F Max.)
- Power cord length:** 47-1/2 inches
- Noise level:** ≤ 53 dBA (Lp) (measured at 3 ft.)
- Discharge pipe diameter:** 3/4" or 1"
- Discharge rate at 15 ft:** 17 GPM
- Discharge rate at 3 ft:** 27 GPM
- Shut-off head:** 30 ft.
- Normal running time:** 10-12s
- Capacity:** 3 gallons / 11.4 liters
- Inlets:** 2" (sides), 1-1/2" vent (top)
- Method of activation:** Membrane/microswitch
- Shower/bathtub base height:** 6" min
- Weight:** 18 lbs / 8.2 kg
- Certifying agencies:** CSA (IPC, NSPC), IAPMO (UPC)
- Connections:** Saniflo's rear discharge toilet, sink, shower/bathtub

DIMENSIONAL DRAWINGS





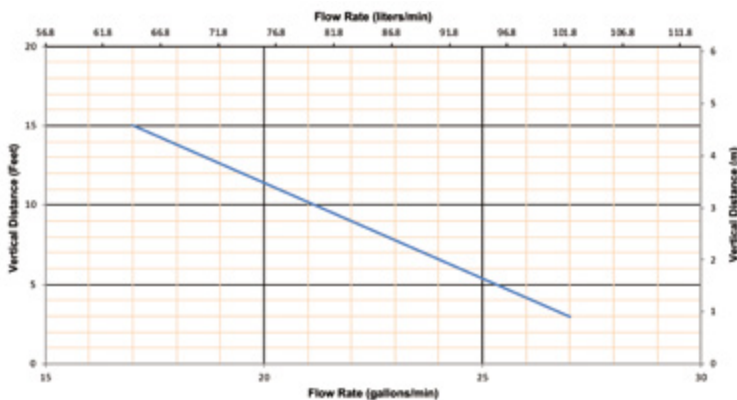
CONNECTIONS

- Discharge: 3/4" or 1"
- Inlet: 1-1/2"
- Vent: 1-1/2"

PRODUCT FEATURES

- Install a complete bathroom up to 15 feet below the sewer line, or even up to 150 feet away.
- Macerating system for residential applications.
- The blade is made out of a hardened stainless steel material which eliminates the need for any service or replacement.

PUMP CURVE



OPTIONAL ACCESSORIES

Sanialarm
(Part N° 050)
See page 28



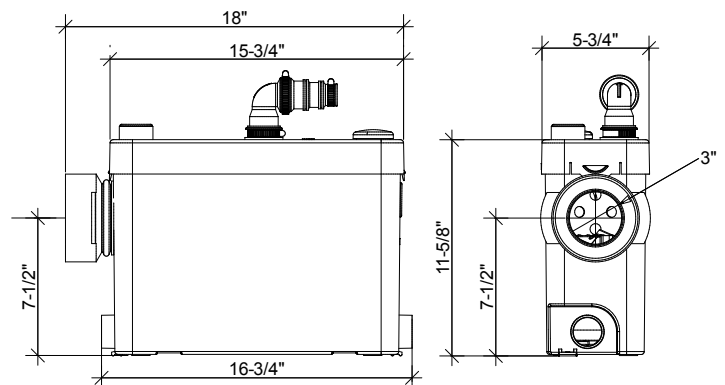
Descaler
(Part N° 052)
See page 28



TECHNICAL SPECIFICATIONS

- Pump type:** Macerator
- Electrical:** 110 V - 60 Hz / 4.5 Amps (Max)
- Motor:** 0.5 HP oil-filled thermally protected motor
- Capacitor rating:** 45 microfarad
- Operating Temperature:** 104°F (110°F Max.)
- Power cord length:** 48 inches
- Noise level:** ≤ 53 dBA (Lp) (measured at 3 ft.)
- Discharge pipe diameter:** 3/4" or 1"
- Discharge rate at 15 ft:** 17 GPM
- Discharge rate at 3 ft:** 27 GPM
- Shut-off head:** 30 ft.
- Normal running time:** Depends on toilet system
- Capacity:** 3.5 gallons / 13.2 liters
- Inlets:** 1-1/2" (sides), 1-1/2" vent (top)
- Method of activation:** Membrane/microswitch
- Shower base height:** 6" min
- Weight:** 17 lbs / 7.7 kg
- Certifying agencies:** CSA (IPC, NSPC), IAPMO (UPC)
- Connections:** Wall hung toilet, sink, shower

DIMENSIONAL DRAWINGS





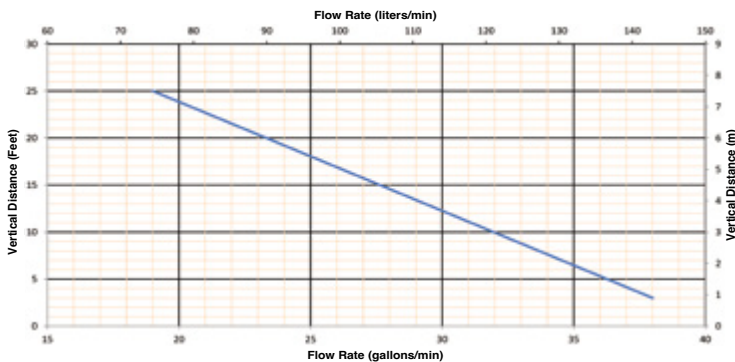
CONNECTIONS

- Discharge: 3/4" or 1"
- Inlet: 2"
- Vent: 1-1/2"
- Easy-access to pressure chamber/electrical parts for easy service/replacement.

PRODUCT FEATURES

- Install a complete bathroom up to 25 feet below the sewer line, or even up to 150 feet away.
- Stainless steel grinder system for both residential and commercial applications.
- Handle sanitary products that may have been flushed down the toilet; sanitary napkins, q-tips, dental floss, etc.

PUMP CURVE



OPTIONAL ACCESSORIES

Sanialarm
(Part N° 050)
See page 28



Descaler
(Part N° 052)
See page 28



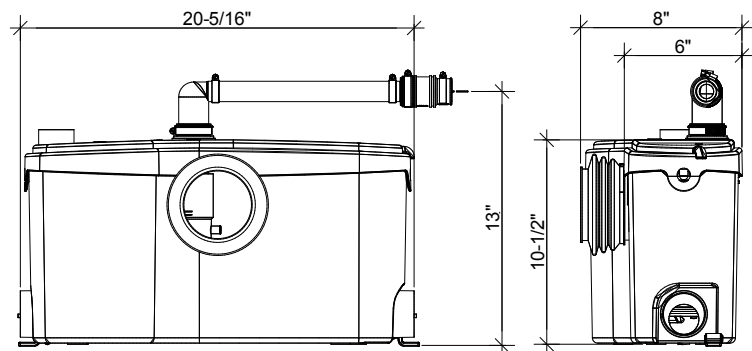
Extension Pipe
(Part N° 030)
See page 28



TECHNICAL SPECIFICATIONS

- Pump type:** Grinder
- Electrical:** 120 V - 60 Hz / 9 Amps (Max)
- Motor:** 1 HP oil-filled thermally protected motor
- Capacitor rating:** 60 microfarad
- Operating Temperature:** 104°F (110°F Max.)
- Power cord length:** 49 inches
- Noise level:** ≤ 63 dBA (Lp) (measured at 3 ft.)
- Discharge pipe diameter:** 3/4" or 1"
- Discharge rate at 25 ft:** 19 GPM
- Discharge rate at 3 ft:** 38 GPM
- Shut-off head:** 38 ft.
- Normal running time:** 10-12 seconds
- Capacity:** 3.2 gallons / 12.1 liters
- Inlets:** 2" (side), 1-1/2" vent (top)
- Method of activation:** Membrane/microswitch
- Shower/bathtub base height:** 8" min
- Weight:** 28 lbs / 12.7 kg
- Certifying agencies:** CSA (IPC, NSPC), IAPMO (UPC)
- Connections:** Saniflo's rear outlet toilet, sink, shower/bathtub, washing machine (indirect connection via laundry sink)

DIMENSIONAL DRAWINGS





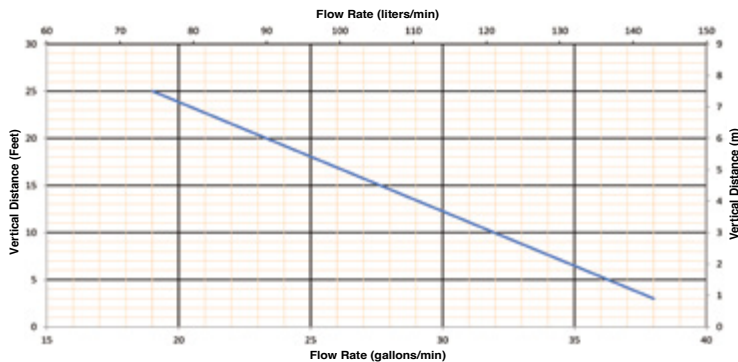
CONNECTIONS

- Discharge: 3/4" or 1"
- Inlet: 2"
- Vent: 1-1/2"
- Easy-access to pressure chamber/electrical parts for easy service/replacement.

PRODUCT FEATURES

- Install a complete bathroom up to 25 feet below the sewer line, or even up to 150 feet away.
- Stainless steel grinder system for both residential and commercial applications.
- Handle sanitary products that may have been flushed down the toilet; sanitary napkins, q-tips, dental floss, etc.

PUMP CURVE



OPTIONAL ACCESSORIES

Sanialarm
(Part N° 050)
See page 28



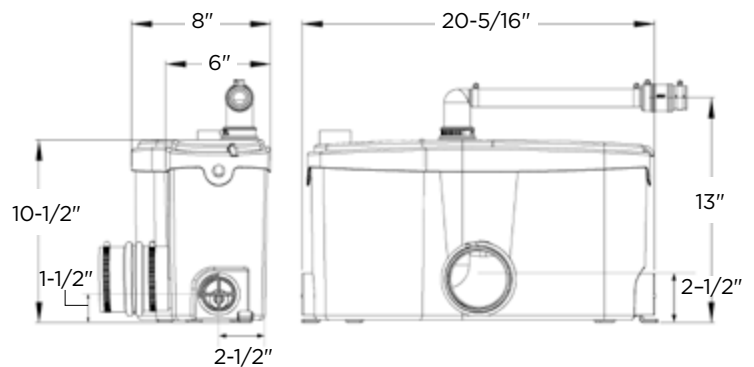
Descaler
(Part N° 052)
See page 28



TECHNICAL SPECIFICATIONS

- Pump type:** Grinder
- Electrical:** 120 V - 60 Hz /9 Amps (Max)
- Motor:** 1 HP oil-filled thermally protected motor
- Capacitor rating:** 60 microfarad
- Operating Temperature:** 104°F (110°F Max.)
- Power cord length:** 49 inches
- Noise level:** ≤ 63 dBA (Lp) (measured at 3 ft.)
- Discharge pipe diameter:** 3/4" or 1"
- Discharge rate at 25 ft:** 19 GPM
- Discharge rate at 3 ft:** 38 GPM
- Shut-off head:** 38 ft.
- Normal running time:** Depends on toilet system
- Capacity:** 3.2 gallons / 12.1 liters
- Inlets:** 2" (sides), 1-1/2" vent (top)
- Method of activation:** Membrane/microswitch
- Shower/bathtub base height:** 8" min
- Weight:** 30 lbs / 13.6 kg
- Certifying agencies:** CSA (IPC, NSPC), IAPMO (UPC)
- Connections:** Bottom outlet toilet, sink, shower/bathtub, washing machine (indirect connection via laundry sink)

DIMENSIONAL DRAWINGS



Saniflo Donates Grinder Toilet Plumbing Systems

to Suds of Love's Mobile Shower and Laundry Truck for the Homeless

Saniflo's **Sanibest® Pro** donations allow Suds of Love Truck to provide additional services on top of their mobile laundry/shower services to unhoused individuals and those in need.

PROBLEM

Suds of Love Truck (SOLT) is a mobile shower and laundry truck for people without housing in the South Eastern Region of North Carolina. In 2019, Bowen discovered one of her students washing his clothes in a nearby creek, inspiring a vision to create a mobile laundry/shower service to assist unhoused individuals and those in need.

Recently, Bowen decided she wanted her vehicle to provide toilet facilities as well as showers, so she needed a pumping system that could handle black water as well as gray water. After consulting with a similar mobile shower organization, Bowen decided on the Saniflo **Sanibest Pro**. She also read positive reviews to confirm that they chose the correct model.

Considering that plumbing had to be done inside a mobile truck, there was no solution involving conventional plumbing to explore. The challenge lay in moving the wastewater from the bathrooms across the truck 6 feet into a 325-gallon black water tank.

SOLUTION

Noting that no other macerator or grinder systems were considered, Bowen and her staff knew that the **Sanibest Pro** unit would be their best option because it had performed well in similar circumstances.

The **Sanibest Pro** combines a rear-discharge toilet with a 1-horsepower pump system. The system can be used to install a complete bathroom, including a toilet, sink, tub, and/or shower.

The only hesitation Bowen and her staff felt derived from the fact that this was their first hands-on encounter with above-floor plumbing technology. "We are more accustomed to using a standard toilet system," explains Bowen, "but after reading the manual, we felt comfortable about the installation process."

Locklear was pleased with how easy it was to install the system. "The installation was quite similar and took no longer than a standard toilet system you would see in a home," says Locklear.



Suds of Love Truck (SOLT) is a mobile shower and laundry truck for people without housing in the South Eastern Region of North Carolina (Scotland, Hoke, Robeson, Bladen Counties).



The **Sanibest Pro** combines a rear-discharge toilet with a 1-horsepower pump system that is usually situated on the floor behind the fixture (and sometimes, for aesthetic reasons, concealed inside the wall behind the toilet). The system can be used to install a complete bathroom, including a toilet, sink, tub, and/or shower.

The wastewater from the toilet drains into the pump unit, which incorporates a grinder system to quickly reduce the incoming effluent before discharging it through small-diameter plastic piping up to 25 feet vertically or 150 feet horizontally to a sewer or septic system — or, in the case of SOLT, to a storage tank.

RESULTS

Since the installation of the **Sanibest Pro** units, there have been no performance issues, Bowen reports. Considering there was no need for an additional pump for the system, Bowen and her staff helped save some money for their nonprofit organization.

Locklear also agrees that he would have done everything the same about the installation of the project. The manual that came with the **Sanibest Pro** units helped immensely in his understanding of the ins and outs of the system.

"Suds of Love Truck would like to thank Saniflo for their generous donation," says Bowen, who continues to provide sanitary care to those in need.

Custom trailer manufacturer chooses Saniflo above-floor grinding and shower solution for ADA-compliant public restroom and shower trailers



Montondo Trailer installs reliable **Sanibest® Pro**, **Sanigrind® Pro**, and **Sanishower®** in their drop trailers to accommodate long term and heavy usage by the general public.

PROBLEM

Montondo Trailer was founded in 2014 by Jack Montondo, who built the business like he builds his trailers - from the ground up. The biggest industries the company serves are disaster relief and homeless outreach organizations. They offer portable restrooms, showers, laundries, bunk beds, or a combination of these applications.

The wheelchair-accessible trailers don't use Montondo's typical plumbing solution that pumps discharge underneath the trailer into a waste tank. Because there needs to be room for a wheelchair ramp, the discharge must pump up and through the floor to the back of the trailer where the waste tank is located.

As a consequence, Montondo had to find a mobile plumbing solution to accommodate an occupant with disabilities, while also providing above-floor drainage for the toilet or shower through the back of the trailer.

"If we have to pull a toilet out of a trailer that's halfway across the country, that wouldn't be a good thing," he continues. "We needed a macerator that could last and handle heavy usage."

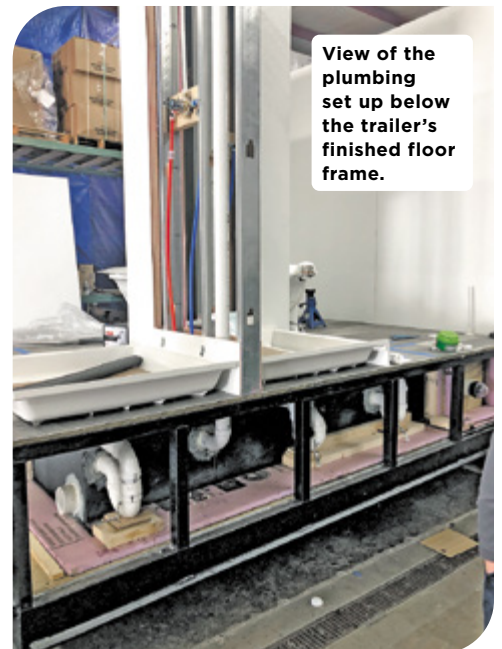
SOLUTION

Montondo ultimately chose the **Sanibest Pro** and the **Sanigrind Pro** grinder systems, as well as the **Sanishower** drain pump to provide black water and gray water drainage for their ADA-type trailers. In the 1,600-square foot ADA restroom trailer, you will find the **Sanibest Pro** unit situated behind the toilet tank and toilet bowl. The discharge line connects to the waste tank on the back of the trailer, with a short discharge pipe run of 1.5 vertical feet and 4 horizontal feet.

For longer-distance discharge runs in the trailer, Montondo installs Saniflo's **Sanigrind Pro**. In some of the ADA restroom trailers, Montondo installs Saniflo's **Sanishower** drain pump. The water source for the shower and the sink faucets comes from the 200-gallon fresh water tank inside each trailer.



The Sanishower drain pump is small enough to fit comfortably under a raised shower base.



View of the plumbing set up below the trailer's finished floor frame.

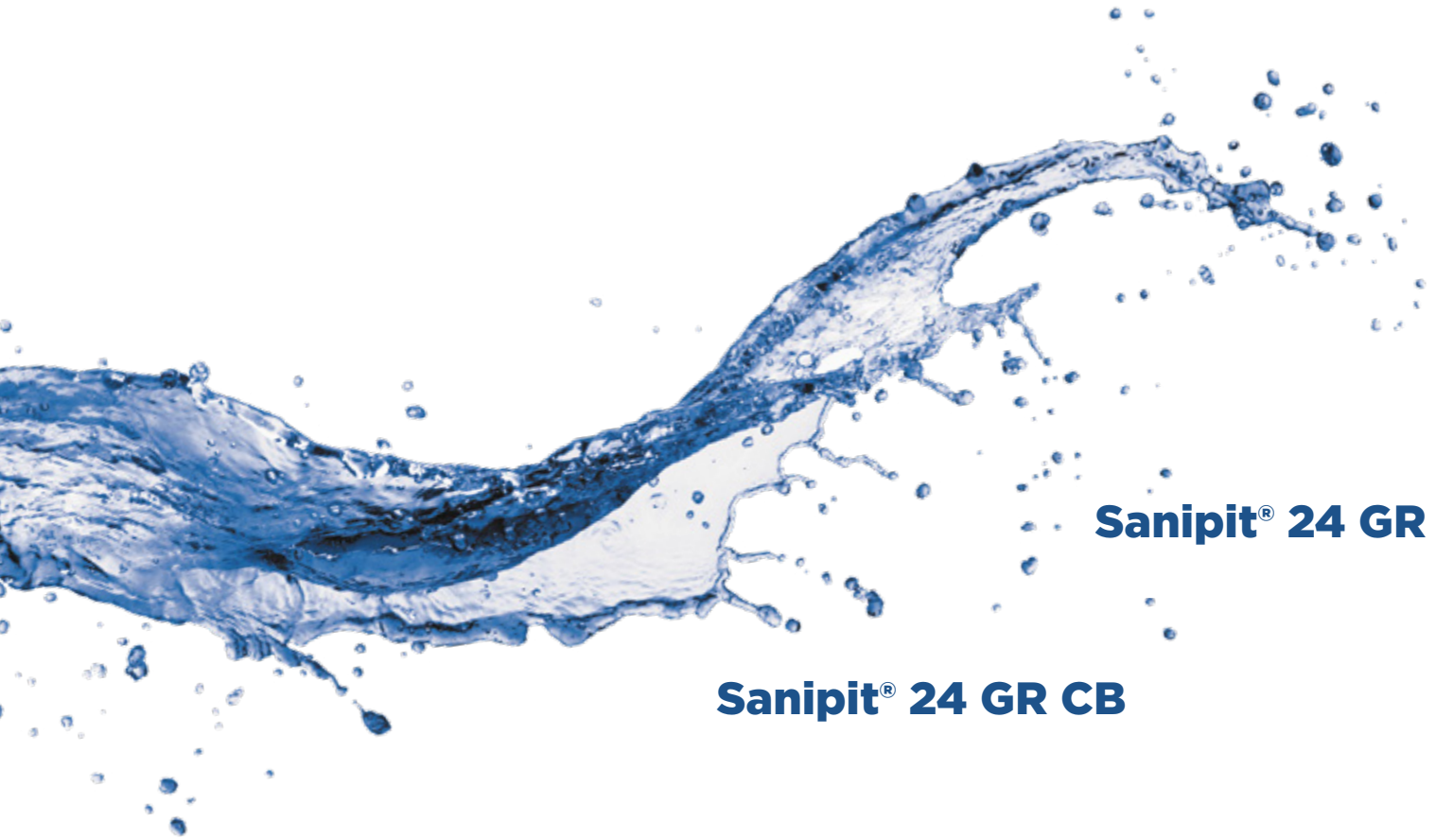
RESULTS

According to Montondo each trailer takes about 8-10 days to build, while the installation of Saniflo plumbing requires only 2 hours. Montondo makes on average 2-3 ADA-compliant trailers per month and has built about 72 ADA-compliant trailers, featuring the Saniflo plumbing, over the last two years.

City officials have offered positive feedback, saying while the usage is extreme, they have not had any issues with the plumbing. Montondo's Julio Serrano, a licensed plumber, states, "The versatility of the Saniflo system is the main reason for continued use in our ADA trailers. Installation is straightforward, whether installing the **Sanibest**, the **Sanigrind** or the **Sanishower**. They fit the application perfectly."

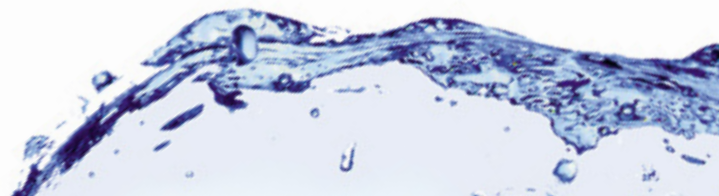
NEW

RETROFIT &
COMPLETE
PUMP KITS



Sanipit® 24 GR

Sanipit® 24 GR CB



Indiana Plumbing Contractor Solves Conventional Sewage Ejector Challenges with New and Unique Retrofit Pump Kit

Dominick Rudd of Bush Plumbing discovers the remarkable benefits of Saniflo's new Sanipit 24GR that seamlessly fits into existing 24-inch basins from all leading pump producers, thus changing the way he installs and maintains sewage ejectors.



The pump's design ensures optimal performance, effectively handling foreign objects and preventing clogs that can lead to extensive damage.



The retrofit pump kit seamlessly fits into existing 24-inch basins from leading manufacturers, eliminating the need for extensive plumbing modifications.



By incorporating the Sanipit 24GR retrofit pump kit into his projects, Rudd is poised to overcome the common challenges associated with sewage ejectors across North America.



PROBLEM

In the world of plumbing, finding innovative solutions to common challenges is essential for both homeowners and contractors alike. One such challenge is the installation and maintenance of sewage ejectors. These systems are crucial for managing waste in homes and commercial buildings, but often suffer performance, installation, and repair issues.

But Dominick Rudd, a skilled and seasoned plumber at Bush Plumbing has found a solution in SFA Saniflo's new **Sanipit 24GR** retrofit pump kit. With its innovative features and benefits, this unique product provides a reliable and hassle-free solution to replace faulty sewage pumps.

The project wasn't without challenges. The main obstacle: The basement grade sat below the existing sewer line. As a result, Weddingfeld had to find a plumbing solution that would allow him to pump the wastewater from new basement fixtures up to an existing sewer line located on the primary floor.

SEWAGE EJECTOR CHALLENGES

Challenges include high maintenance costs, float issues, messy repairs, and frequent nasty clogs that can disrupt daily life. Additionally, repairing or replacing sewage ejectors often requires considerable time and effort.

"Pumps that sit idle can rust or experience damage due to underuse or misuse," he explains. On the other hand, he notes that regularly used pumps can still encounter problems from improper usage, such as flushing oversized, foreign objects down the toilet.

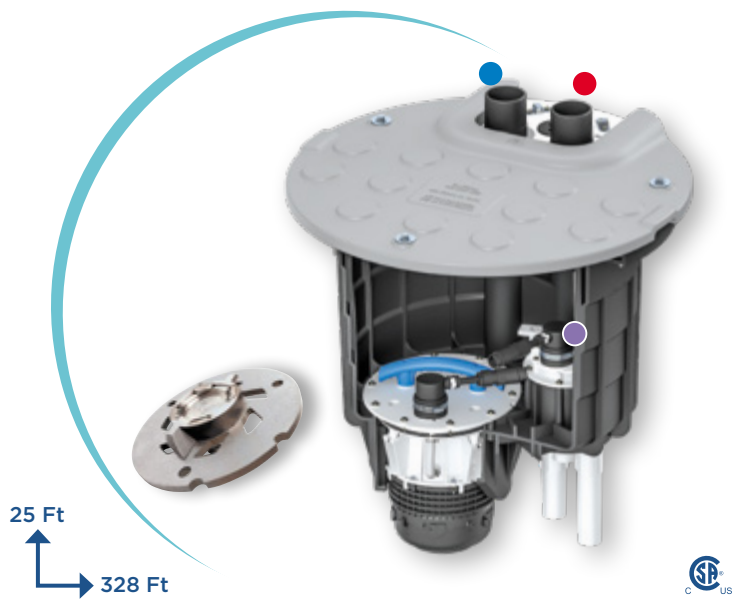
Unreliable performance can lead to potential hazards, such as backed-up sewage and unpleasant odour, compromising the comfort and well-being of residents.

RESULTS

Rudd has embraced the **Sanipit 24GR** retrofit pump kit. The retrofit pump kit seamlessly fits into existing 24-inch basins from leading manufacturers such as Liberty Pumps, Zoeller, and Myers, eliminating the need for extensive plumbing modifications. "By keeping the current basin in place and adapting the retrofit cover, the installation process is simplified and time-efficient," he says.

"If I need to change the pressure switches or perform any other maintenance tasks, it's a breeze," "The whole process takes no more than 10 minutes" he says.

Rudd also emphasizes the anticipated durability of the **Sanipit 24GR**, noting that its projected long lifespan should nonetheless require minimal maintenance. The payoff? Homeowners will be spared frequent repairs and replacements, providing peace of mind and reduced long-term costs.



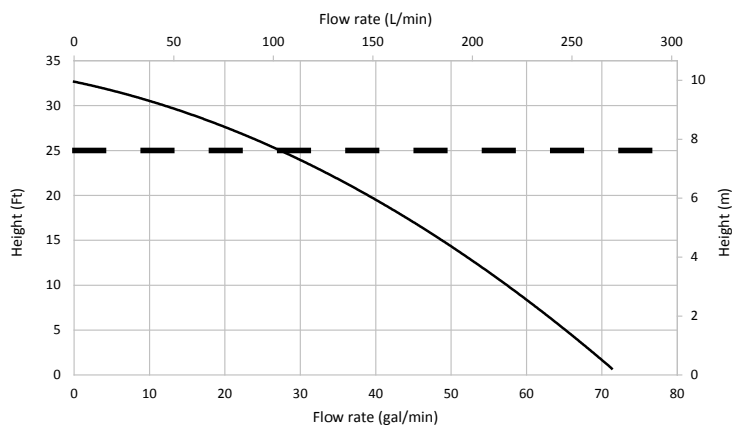
CONNECTIONS

- Discharge: 2"
- Vent: 2"
- Fail-proof air pressure switch system with triple redundancy.

PRODUCT FEATURES

- Pre-assembled retrofit pump kit with built-in 1 HP grinder and air pressure switches that adapts to 24" diameter basins.
- Able to discharge the waste up to 25 feet vertical and/or 328 feet horizontal.
- Easy access to all major internal components, including motor, grinder blade, and pressure switches.

PUMP CURVE



STANDARD ACCESSORIES

Control box



Wired alarm unit



OPTIONAL

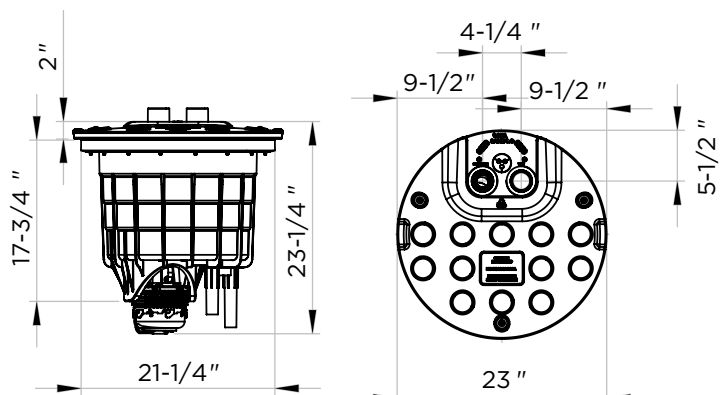
Descaler (Part N° 052) See page 28



TECHNICAL SPECIFICATIONS

- Pump type:** Grinder
- Electrical:** 120 V - 60 Hz / 10 Amps (Max)
- Motor:** 1 HP oil-filled thermally protected motor
- Capacitor rating:** 60 microfarad
- Operating Temperature:** 158°F
- Power cord length:** 72 inches
- Noise level:** ≤ 68 dBA (Lp) (measured at 3 ft.)
- Discharge pipe diameter:** 2"
- Discharge rate at 25 ft:** 29 GPM
- Discharge rate at 3 ft:** 66 GPM
- Shut-off head:** 33 ft.
- Normal running time:** Depends on number of fixtures
- Basin Capacity:** 21 gallons / 80 liters
- Inlets:** 2" vent (top)
- Method of activation:** Pressure switches, Circuit board
- ON/OFF Levels:** 7-3/4" / 3-1/4"
- Weight:** 44 lbs / 20 kg
- Certifying agencies:** CSA (IPC, NSPC)

DIMENSIONAL DRAWINGS





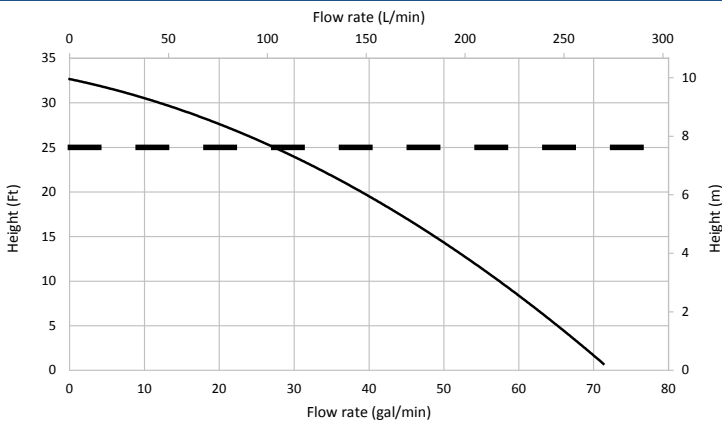
CONNECTIONS

- Discharge: 2"
- Inlet: 4"
- Vent: 2"

PRODUCT FEATURES

- Pre-assembled packaged 24" x 24" grinding 1 HP pump system w/ basin and control panel/alarm system.
- Able to discharge the waste up to 25 feet vertical and/or 328 feet horizontal.
- Easy access to all major internal components, including motor, grinder blade, and pressure switches.
- Fail-proof air pressure switch system with triple redundancy.

PUMP CURVE



STANDARD ACCESSORIES

Control box



Wired alarm unit



OPTIONAL

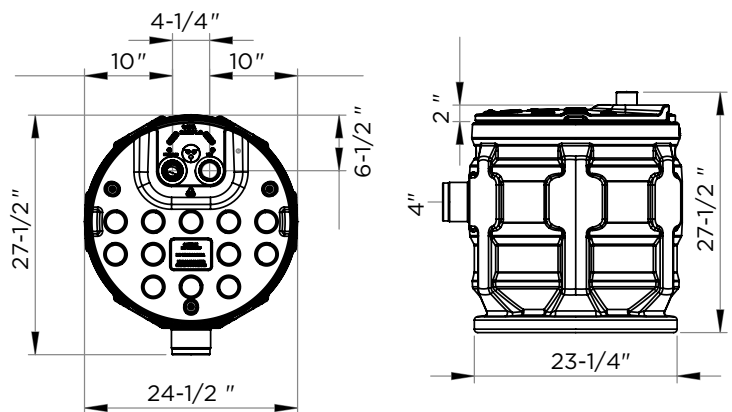
Descaler (Part N° 052) See page 28



TECHNICAL SPECIFICATIONS

- Pump type:** Grinder
- Electrical:** 120 V - 60 Hz / 10 Amps (Max)
- Motor:** 1 HP oil-filled thermally protected motor
- Capacitor rating:** 60 microfarad
- Operating Temperature:** 158°F
- Power cord length:** 86 inches
- Noise level:** ≤ 68 dBA (Lp) (measured at 3 ft.)
- Discharge pipe diameter:** 2"
- Discharge rate at 25 ft:** 29 GPM
- Discharge rate at 3 ft:** 66 GPM
- Shut-off head:** 33 ft.
- Normal running time:** Depends on number of fixtures
- Basin Capacity:** 21 gallons / 80 liters
- Inlets:** 4" (side), 2" vent (top)
- Method of activation:** Pressure switches, Circuit board
- ON/OFF Levels:** 7-3/4" / 3-1/4"
- Weight:** 66 lbs / 30 kg
- Certifying agencies:** CSA (IPC, NSPC)

DIMENSIONAL DRAWINGS



Accessories

Extension pipe PART N° 030



The 18" extension pipe was designed with the idea of simplifying the installation process making it easier to **hide the pump and plumbing behind the wall**. It has an inner gasket which connects to the rear spigot of the Saniflo toilet creating a sealed connection.

The diameter of the extension pipe is 4" (5" bell housing). **It comes with a paintable decorative trim** that surrounds the pipe and provides a perfect finish.

* Compatible with the Saniaccess 3, Saniplus, Sanibest Pro and Saniaccess 2 systems.



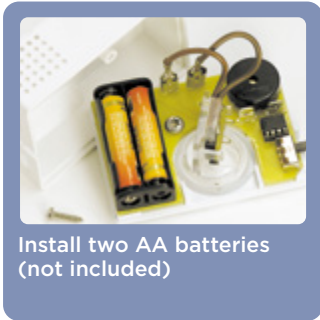
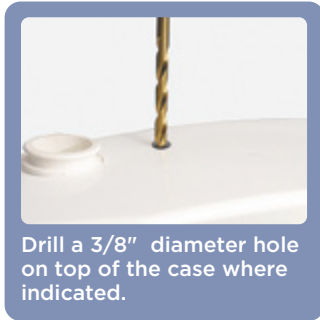


Sanialarm PART N° 050

This solution alerts users of high water levels inside the pump. The Sanialarm helps prevent inappropriate use and encourages prompt intervention.



The Sanialarm has a level pressure switch that triggers an alarm fixed on the top of the unit if the volume of water exceeds the maximum allowed level. The alarm emits a continuous 80 dB warning sound until it is switched off or the problem is rectified. The Sanialarm is battery operated and can be installed on most Saniflo macerating units and drain water pumps.

* Compatible with Saniplus, Sanibest Pro, Sanipack, Sanigrind Pro and Sanivite.



- 1  Install two AA batteries (not included)
- 2  Drill a 3/8" diameter hole on top of the case where indicated.
- 3  Insert the tube and position the Sanialarm on top.
- 4  Turn the switch to the ON position.

Descaler PART N° 052

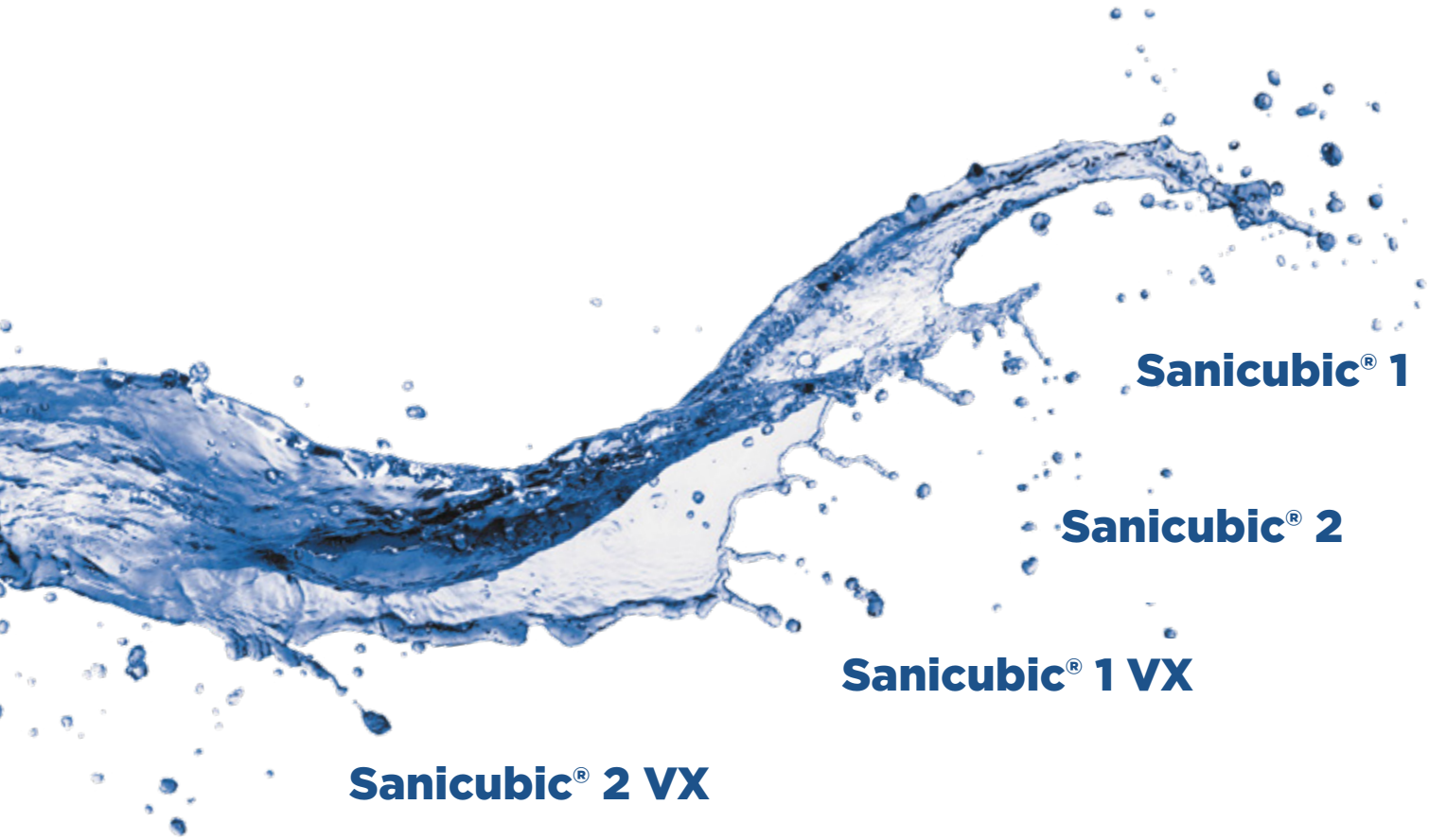
Prolongs the life of all Saniflo pumps by cleaning and disinfecting. This special formula is perfectly designed for cleaning and descaling the heart of your system and its internal components.



- Specifically created for use with Saniflo products.
- Laboratory formulated with phosphoric acid.
- Concentrated solution for optimum cleaning power.
- Regular usage prolongs unit life and maintains efficiency.
- Harmless to septic tank operation.

-  Disconnect from the main power.
-  Pour the solution inside the bowl and flush the toilet once.
-  Let the solution sit inside the toilet and pump for a couple of hours.
-  Connect to main power supply and flush the toilet a couple of times.

LIFT STATIONS

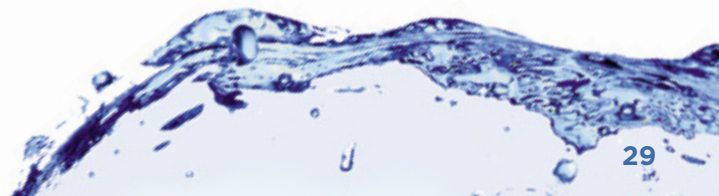


Sanicubic® 1

Sanicubic® 2

Sanicubic® 1 VX

Sanicubic® 2 VX



Sanicubic® 1 GRINDER LIFT STATION - PART N° 089



CONNECTIONS

- Discharge: 1-1/2"
- Inlet: Four 1-1/2" or 4"
- Vent: 1-1/2"

Wastewater (Residential, Commercial Applications)

The Sanicubic 1 is a 1 HP heavy duty simplex grinder system used to pump away wastewater from several bathrooms and fixtures from an entire building structure. This system is able to discharge the waste up to 36 feet vertical and/or 328 feet horizontal.

It incorporates a grinder system which is ideal for uncontrolled environments in both residential and commercial applications (ie. rental unit, offices, warehouses, etc). The Sanicubic 1 is designed to handle sanitary products that may have been flushed down the toilet; such may consist of condoms, sanitary napkins, q-tips, dental floss, etc.

PRODUCT FEATURES

PERFORMANCE

- Maximum pumping height: 36 Ft (45 Ft Shut-off)
- Maximum flow rate: 50 GPM

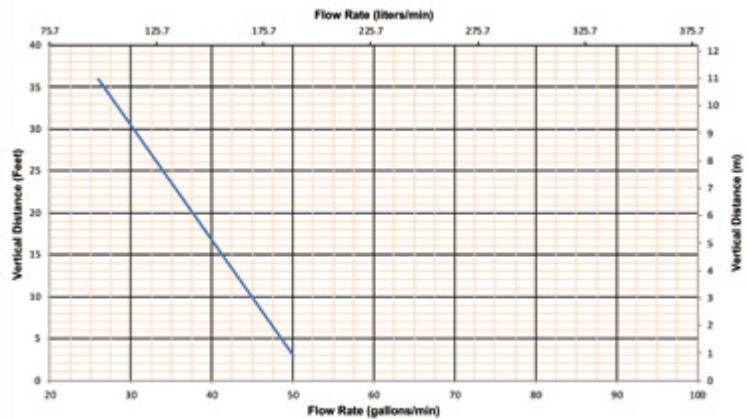
ADVANTAGES

- Installed directly on the ground.
- Easy access for maintenance.
- Four inlets, two of which are low (1-1/2" and 4").
- System activates with a fail-proof air pressure switch system with triple redundancy.
- Stainless steel grinder.
- Integrated control panel with manual override.
- Rated IP68 with external control box and alarm standard.



Installation above ground

PUMP CURVE



STANDARD ACCESSORIES

Control box



Wired alarm unit



OPTIONAL

Descaler (Part N° 052) See page 28





Installation below the ground

TECHNICAL SPECIFICATIONS

Pump type:

Grinder

Electrical:

120 V - 60 Hz / 4.5 Amps (Max) - 220 240 V - 60 Hz (Part# 069)

Motor:

1 HP oil-filled thermally protected motor

Capacitor rating:

60 microfarad

Operating Temperature:

158°F

Power cord length:

80 inches

Noise level:

≤ 68 dBA (Lp) (measured at 3 ft.)

Discharge pipe diameter:

1-1/2"

Discharge rate at 36 ft:

26 GPM

Discharge rate at 3 ft:

50 GPM

Shut-off head:

45 ft.

Normal running time:

Depends on number of fixtures

Capacity:

8.5 gallons / 32.2 liters

Inlets:

1-1/2" or 4"(side), 1-1/2" or 4"(top)

Method of activation:

Pressure switch, Circuit board

Shower/bathtub base height:

10" min

Weight:

50 lbs / 22.7 kg

Certifying agencies:

CSA (IPC, NSPC), IAPMO (UPC)

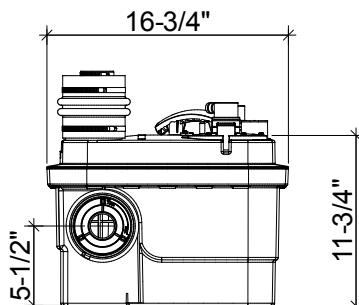
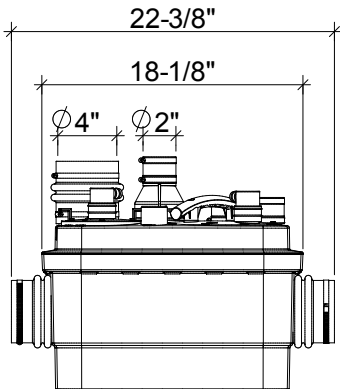
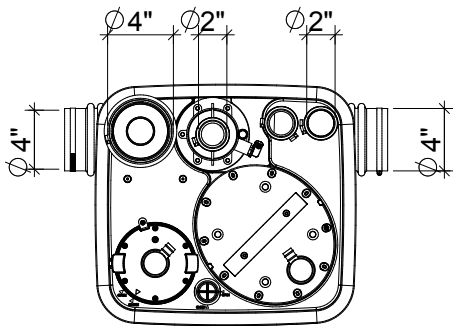
Recommended accessories:

Descaler

Connections:

Toilet, sink, shower/bathtub, washing machines (direct connection), etc.

DIMENSIONAL DRAWINGS



Sanicubic® 2 GRINDER LIFT STATION - PART N° 029



CONNECTIONS

- Discharge: 1-1/2"
- Inlet: Five 1-1/2" or 4"
- Vent: 1-1/2"

Wastewater (Commercial, Industrial Applications)

The Sanicubic 2 is heavy duty duplex grinder system used to pump away wastewater from several bathrooms and fixtures from an entire building structure. This system is able to discharge the waste up to 36 feet vertical and/or 328 feet horizontal.

It incorporates a grinder system which is ideal for uncontrolled environments in both residential and commercial applications (ie. rental unit, offices, warehouses, etc). The Sanicubic 2 is designed to handle sanitary products that may have been flushed down the toilet; such may consist of condoms, sanitary napkins, q-tips, dental floss, etc.

PRODUCT FEATURES

PERFORMANCE

- Maximum pumping height: 36 Ft (45 Ft Shut-off).
- Maximum flow rate: 90 GPM (Both motors in operation).

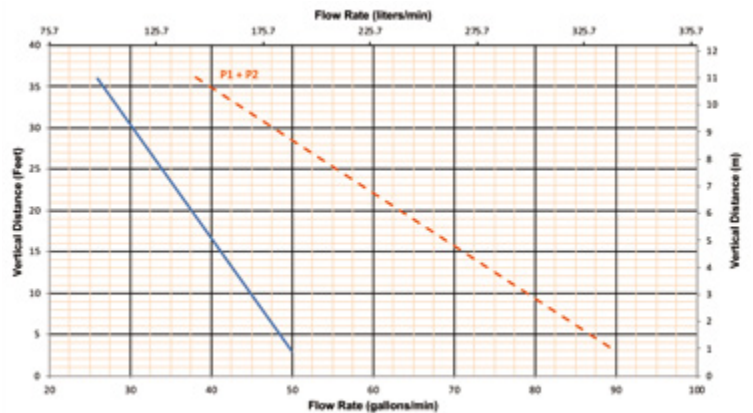
ADVANTAGES

- Installed directly on the ground.
- Easy access for maintenance.
- Two pumps operating alternately.
- Five inlets, two of which are low (1-1/2", 4").
- System activates with a fail-proof air pressure switch system with triple redundancy.
- Stainless steel grinder.
- Rated IP68 with external control box and alarm standard.



Installation above ground

PUMP CURVE



STANDARD ACCESSORIES

Control box



Wired alarm unit



OPTIONAL

Descaler (Part N° 052) See page 28





Installation below the ground



TECHNICAL SPECIFICATIONS

Pump type:

Grinder

Electrical:

220-240 V (208V min) - 60 Hz / 13 Amps (Max)

Motor:

2 x 1 HP oil-filled thermally protected motor

Capacitor rating:

2 x 30 microfarad

Operating Temperature:

158°F

Power cord length:

72 inches

Noise level:

≤ 68 dBA (Lp) (measured at 3 ft.)

Discharge pipe diameter:

1-1/2"

Discharge rate at 36 ft:

38 GPM (Both motors in operation)

Discharge rate at 3 ft:

90 GPM (Both motors in operation)

Shut-off head:

45 ft.

Normal running time:

Depends on number of fixtures

Capacity:

12.4 gallons / 47 liters

Inlets:

1-1/2" or 4"(side), 1-1/2" or 4"(top)

Method of activation:

Pressure switch, Circuit board

Shower/bathtub base height:

10" min

Weight:

77 lbs / 35 kg

Certifying agencies:

CSA (IPC, NSPC), IAPMO (UPC)

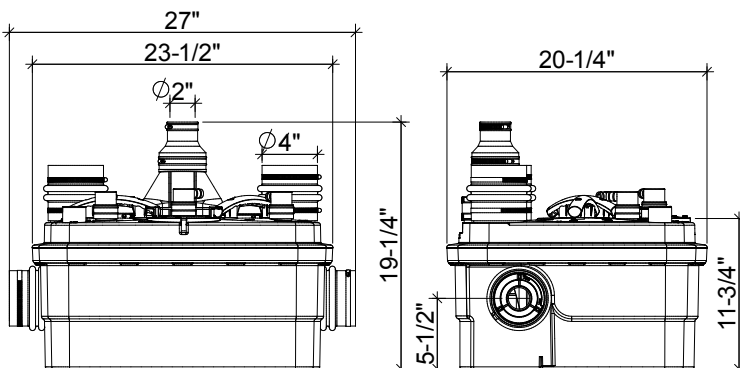
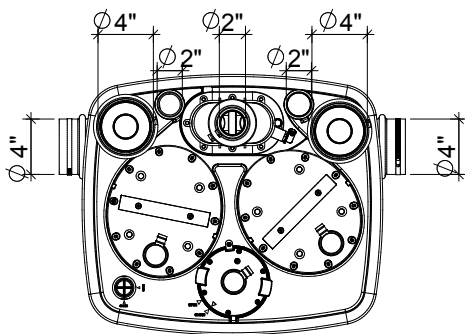
Recommended accessories:

Descaler

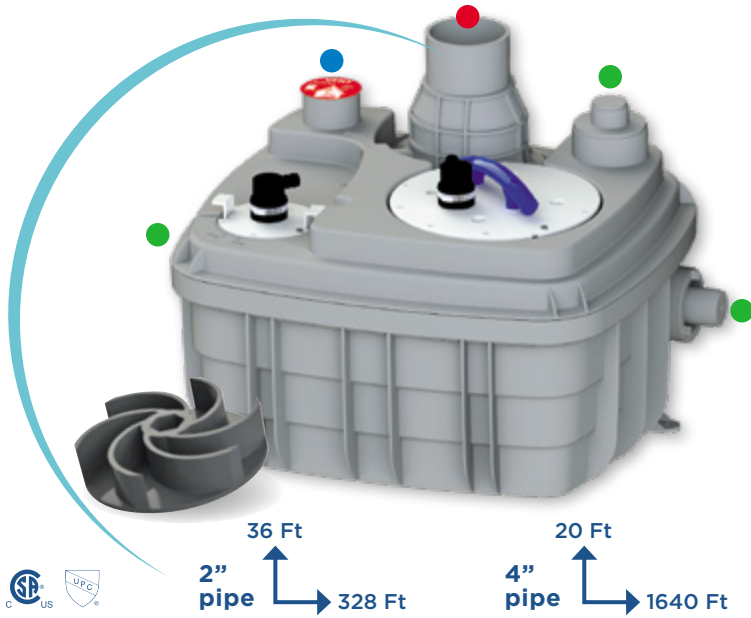
Connections:

Toilet, sink, shower/bathtub, washing machines (direct connection), etc.

DIMENSIONAL DRAWINGS



Sanicubic® 1VX VORTEX LIFT STATION - PART N° 049



36 Ft
2" pipe → 328 Ft

20 Ft
4" pipe → 1640 Ft

CONNECTIONS

- Discharge: 2" or 4"
- Inlet: Three 1-1/2" or 4"
- Vent: 1-1/2"

Wastewater (Residential, Commercial Applications)

The Sanicubic 1 VX is heavy duty simplex vortex system used to pump away wastewater from several bathrooms and fixtures from an entire building structure. This system is able to discharge the waste up to 36 feet vertical and/or 328 feet horizontal using 2" pipe or up to 20 feet vertical and/or 1640 feet horizontal using a 4" pipe.

This lift station is ideal for uncontrolled environments in both residential and commercial applications (ie. rental unit, offices, warehouses, etc). The Sanicubic 1 VX incorporates a vortex impeller capable of handling up to 2" solids.

PRODUCT FEATURES

PERFORMANCE

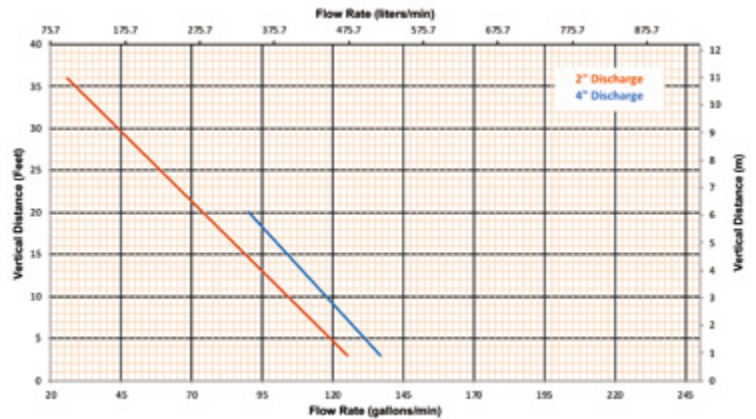
- Maximum pumping height: 36 Ft (2"), 20 Ft (4") - (43 Ft Shut-off).
- Maximum flow rate: 125 GPM (2"), 137 GPM (4").

ADVANTAGES

- Installed directly on the ground.
- Easy access for maintenance.
- System activates with a fail-proof air pressure switch system with triple redundancy.
- Vortex impeller (up to 2" solids).
- Direct and safe access to pump.
- External control box included.
- Wired alarm included.
- Rated IP68 with external control box and alarm standard.



PUMP CURVE



STANDARD ACCESSORIES

Control box



Wired alarm unit



OPTIONAL

Descaler (Part N° 052) See page 28





TECHNICAL SPECIFICATIONS

Pump type:

Vortex

Electrical:

220-240 V (208V min) - 60 Hz / 12 Amps (Max)

Motor:

1.5 HP oil-filled thermally protected motor

Capacitor rating:

30 microfarad

Operating Temperature:

158°F

Power cord length:

98 inches

Noise level:

≤ 70 dBA (Lp) (measured at 3 ft.)

Discharge pipe diameter:

2" or 4"

Discharge rate at 36 ft (2"):

26 GPM

Discharge rate at 3 ft (2"):

125 GPM

Discharge rate at 20 ft (4"):

90 GPM

Discharge rate at 3 ft (4"):

137 GPM

Shut-off head:

43 ft.

Normal running time:

Depends on number of fixtures

Capacity:

15.9 gallons / 60.2 liters

Inlets:

1-1/2" or 4"(side), 1-1/2" or 4"(top)

Method of activation:

Pressure switch, Circuit board

Shower/bathtub base height:

11" min

Weight:

68 lbs / 30.8 kg

Certifying agencies:

CSA (IPC, NSPC), IAPMO (UPC)

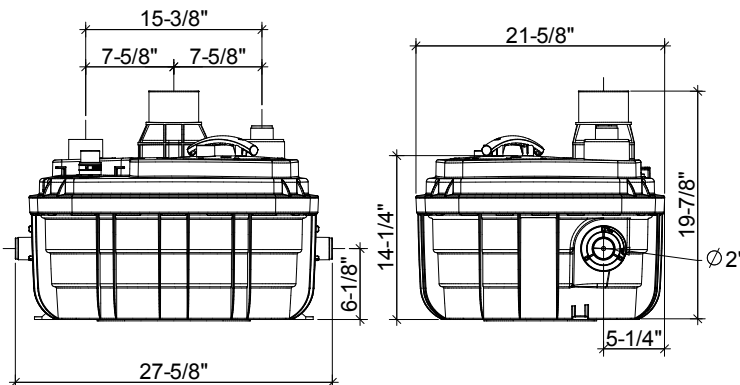
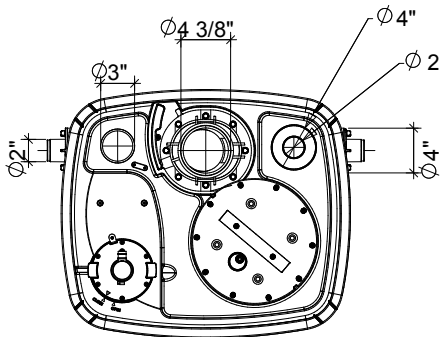
Recommended accessories:

Descaler

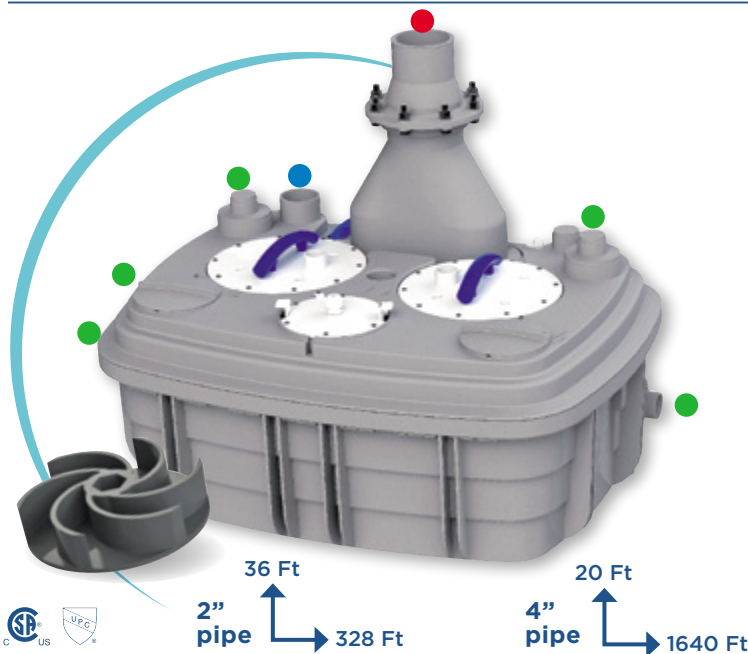
Connections:

Toilet, sink, shower/bathtub, washing machines (direct connection), etc.

DIMENSIONAL DRAWINGS



Sanicubic® 2VX VORTEX LIFT STATION - PART N° 099



CONNECTIONS

- Discharge: 2" or 4"
- Inlet: Five 1-1/2" or 4"
- Vent: 2"

Wastewater (Commercial, Industrial Applications)

The Sanicubic 2 VX is a heavy duty duplex vortex system used to pump away wastewater from several bathrooms and fixtures from an entire building structure. This system is able to discharge the waste up to 36 feet vertical and/or 328 feet horizontal using 2" pipe or up to 20 feet vertical and/or 1640 feet horizontal using a 4" pipe.

This lift station is ideal for uncontrolled environments in both residential and commercial applications (ie. rental unit, offices, warehouses, etc). The Sanicubic 2VX incorporates a couple of vortex impellers capable of handling up to 2" solids.

PRODUCT FEATURES

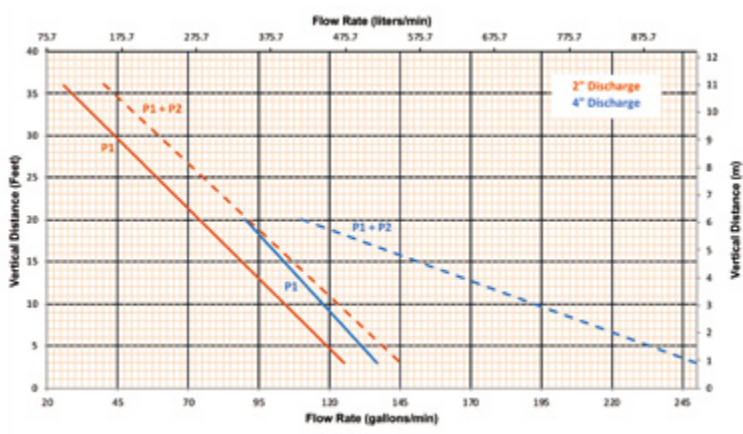
PERFORMANCE

- Maximum pumping height: 36 Ft (2"), 20 Ft (4") - (43 Ft Shut-off).
- Maximum flow rate: 145 GPM (2"), 250 GPM (4") Both motors in operation.

ADVANTAGES

- Installed directly on the ground.
- Easy access for maintenance
- Five inlets, two of which are low (1-1/2", 4")
- System activates with a fail-proof air pressure switch system with triple redundancy.
- Two vortex impellers.
- Motors operating alternately.
- Rated IP68 with external control box and alarm standard.

PUMP CURVE



STANDARD ACCESSORIES

Control box



Wired alarm unit



OPTIONAL

Descaler (Part N° 052) See page 28





TECHNICAL SPECIFICATIONS

Pump type:

Vortex

Electrical:

220-240 V (208V min) - 60 Hz / 12 Amps (Max)

Motor:

2 x 1.5 HP oil-filled thermally protected motor

Capacitor rating:

2 x 30 microfarad

Operating Temperature:

158°F

Power cord length:

98 inches

Noise level:

≤ 70 dBA (Lp) (measured at 3 ft.)

Discharge pipe diameter:

2" or 4"

Discharge rate at 36 ft (2"):

40 GPM (Both motors in operation)

Discharge rate at 3 ft (2"):

145 GPM (Both motors in operation)

Discharge rate at 20 ft (4"):

110 GPM (Both motors in operation)

Discharge rate at 3 ft (4"):

250 GPM (Both motors in operation)

Shut-off head:

43 ft.

Normal running time:

Depends on number of fixtures

Inlets:

1-1/2" or 4" (side), 1-1/2" or 4" (top)

Method of activation:

Pressure switch/circuit board

Weight:

223 lbs / 101.2 kg

Certifying agencies:

CSA (IPC, NSPC), IAPMO (UPC)

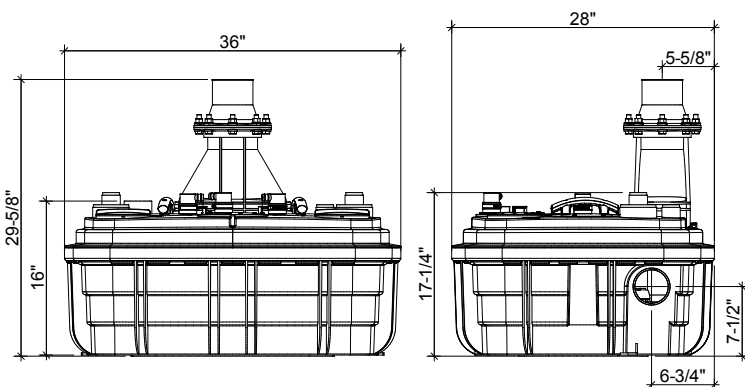
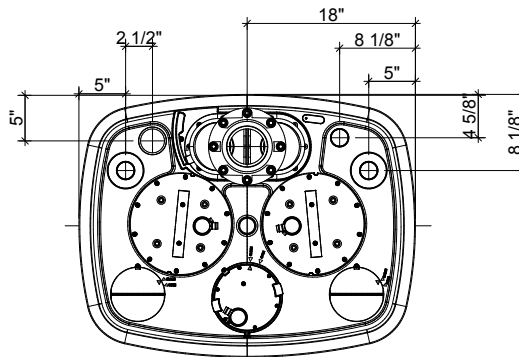
Recommended accessories:

Descaler

Connections:

Toilets, tubs and showers, sinks, washing machines (direct connection), dishwashers, etc.

DIMENSIONAL DRAWINGS



CASE STUDIES

Sanicubic 1 lift station proves to be only effective plumbing-drainage solution

for California floating home

AR Plumbing avoids the costly job of busting through the concrete foundation of a floating home to install plumbing for a full bathroom and washing machine, using a compact lift station.



The floating home located at the main dock area of Richardson Bay in Sausalito, CA, near San Francisco.

PROBLEM

A floating home is a building, ranging from a tiny house to a four-story home, that floats on a body of water. Unlike a houseboat, a floating home is meant to be moved just once, placed on a floating concrete foundation, and permanently connected to public utilities; i.e., floating homes are permanently connected to municipal sewer, water, and electrical.

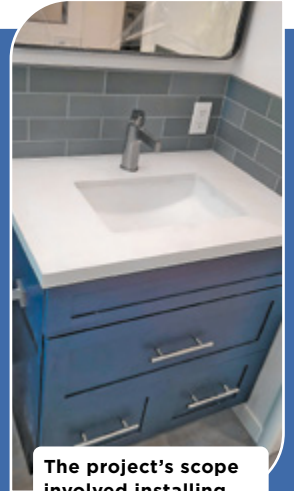
Installing conventional plumbing on a floating home can present some unique and formidable challenges. That's why the owner of a floating home enlisted the help of an engineer and a local professional plumbing company, AR Plumbing. The project's scope involved installing the plumbing for a toilet, shower, sink, and washing machine as part of remodeling the floating home.

SOLUTION

Having installed a Saniflo macerating toilet in another floating house, Rodas recommended Saniflo's above-floor plumbing solution to the engineer. "After talking to one of Saniflo's regional sales managers, we identified the **Sanicubic 1** as the right product for the application," says Rodas.

The **Sanicubic 1** is a pre-assembled simplex (single pump) grinder system, capable of discharging wastewater from multiple fixtures. In addition, the highly durable plastic enclosure for its pump and grinding blade incorporates four different exterior inlets for incoming waste lines, as well as sophisticated controls and a monitoring system to mitigate servicing issues.

"We initially looked into installing a Liberty pump, but it would have been a difficult installation, while the **Sanicubic 1** is easier to install and way more compact," Rodas says. The **Sanicubic 1** was positioned in a small space under the floating home's wooden floorboard.



The project's scope involved installing the plumbing for a toilet, shower, sink, and washing machine as part of remodeling the floating home.



The Sanicubic 1 positioned in a small space under the floating home's wooden floorboard. AR Plumbing owner and CEO Adolfo Rodas and his team used two of the four inlets on the Sanicubic 1.



The control panel has a visual and audible alarm system (including a 15' wire).

RESULTS

According to Rodas, the entire installation, including running drainage lines from the four fixtures, took only two days. After multiple tests, Rodas reports that the completed system is performing well. "I'm mostly impressed by how quiet the pump is," he says.

Feddon Mechanical uses duplex Vortex pump systems

for restroom additions at large Florida medical warehouse

Feddon Mechanical installs two heavy-duty Sanicubic® 2VX lift stations to tie into existing, conventional plumbing lines, accommodating additional restrooms for HCA Healthcare HealthTrust warehouse staff.

PROBLEM

HCA Healthcare, an American for-profit operator of health care facilities, utilizes the HealthTrust supply chain to improve facility operational efficiency. The HCA Healthcare HealthTrust location in Lakeland, Florida, functioned as one large warehouse before the decision was made to section off an end of the building to accommodate offices, restrooms, and break rooms for the staff. To scope the project, the organization contacted *Feddon Mechanical LLC*, an award-winning plumbing and mechanical contractor from St. Petersburg, Florida.

The project landed in the lap of project manager Nate Hefner. HealthTrust previously installed one restroom and two connecting restrooms in different sections of the warehouse. The new project scope required tying these new restrooms into the existing sanitary sewer, with the furthest restroom roughly 850-feet away from existing sanitary sewer access.



The HealthTrust Lakeland project involved tying one restroom and two connecting restrooms, previously installed by Feddon Mechanical, into the existing sanitary sewer.

SOLUTION

After confirming that they could accommodate the electrical components to operate the Saniflo systems, the **Sanicubic 2VX** duplex lift station came out on top as the unit that could adequately handle the flow and distance of the plumbing system. The decision was made to install two **Sanicubic 2VX** units to handle the wastewater coming from three new single user restroom facilities.

Two Vortex impellers within the **Sanicubic 2VX** alternately handle wastewater to distribute the work equally. Each pump has an overload stage that signals when the incoming rate is higher than the discharge rate, activating the opposite pump until the rate normalizes.

In addition, if one pump fails, the alternate pump can handle the workload until the unit is serviced. Each pump can handle up to 125 gallons per minute (GPM), using a 2-inch pipe; or 137 GPM using a 4-inch pipe.

RESULTS

According to Hefner, both Sanicubics and the Sanicondens Best Flat have operated without a hitch at HealthTrust Lakeland.

“Using Saniflo products that were readily available and didn’t require long lead time was cost-effective, compared with the equipment initially specified,” explains Hefner.

Furthermore, the facility contacted Feddon Mechanical and Saniflo to pursue a service agreement for routine preventative maintenance on all three units, allowing Feddon Mechanical to further expand their commercial service division.

“From blueprints and documents to installation and maintenance, we’ll be able to offer our clients the full package,” says Hefner.



Sanicubic 2VX was installed in a closet that was created specifically for the pump on the other side of the bathroom.



The second Sanicubic 2VX was installed for two side-by-side restrooms, also receiving wastewater from the first Sanicubic 2VX. All the wastewater within this second unit discharges into the conventional plumbing system of the pre-existing restrooms.

DRAIN PUMPS



Sanishower®

Saniswift®

Saniswift® Pro

Sanivite®

Sanicom® 1

Sanicom® 2



12 Ft
100 Ft



R RESIDENTIAL GRADE

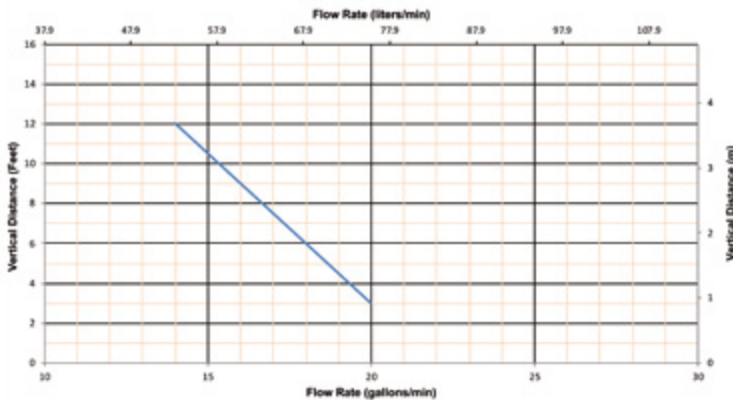
CONNECTIONS

- Discharge: 3/4" or 1"
- Inlet: 2"
- Vent: 1-1/4" or 1-1/2"

PRODUCT FEATURES

- Used to pump gray water away from a variety of fixtures in residential applications.
- The system is able to discharge the waste up to 12 feet vertical and/or 100 feet horizontal.

PUMP CURVE



OPTIONAL ACCESSORIES

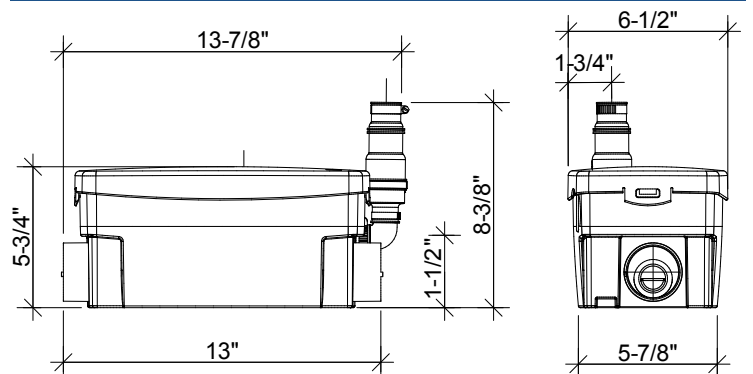
Descaler
(Part N° 052)
See page 28



TECHNICAL SPECIFICATIONS

- Pump type:** Drain Pump
- Electrical:** 120 V - 60 Hz / 5.5 Amps (Max)
- Motor:** 0.2 HP oil-filled thermally protected motor
- Capacitor rating:** 25 microfarad
- Operating Temperature:** 104°F (110°F Max.)
- Power cord length:** 48-1/2"
- Noise level:** ≤ 44 dBA (Lp) (measured at 3 ft.)
- Discharge pipe diameter:** 3/4" or 1"
- Discharge rate at 12 ft:** 14 GPM
- Discharge rate at 3 ft:** 20 GPM
- Shut-off head:** 26 ft.
- Normal running time:** 3-5 seconds (Short bursts)
- Capacity:** 0.9 gallons / 3.4 liters
- Inlets:** 2" (sides)
- Method of activation:** Membrane/microswitch
- Shower base height:** 5" min
- Weight:** 12 lbs / 5.4 kg
- Certifying agencies:** CSA (IPC, NSPC)
- Connections:** Sink, shower

DIMENSIONAL DRAWINGS





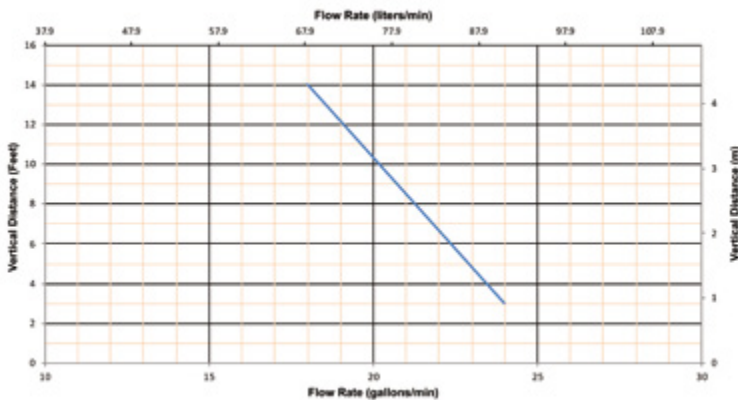
CONNECTIONS

- Discharge: 1", 1-1/4" or 1-1/2"
- Inlet: 1-1/2"
- Vent: 1-1/2"

PRODUCT FEATURES

- Used to pump gray water away from a variety of fixtures in residential applications.
- The system is able to discharge the waste up to 14 feet vertical and/or 140 feet horizontal.

PUMP CURVE



OPTIONAL ACCESSORIES

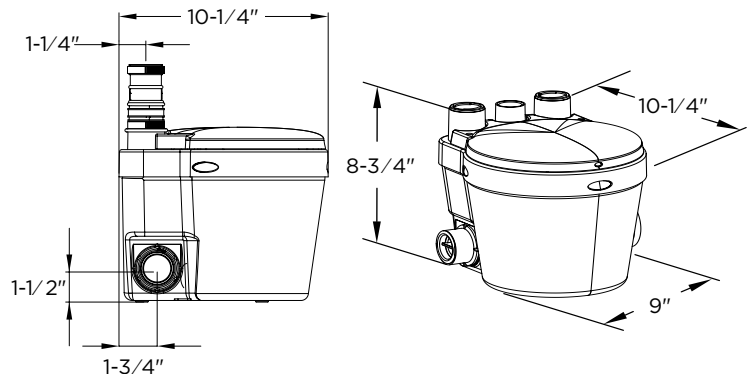
Descaler
(Part N° 052)
See page 28

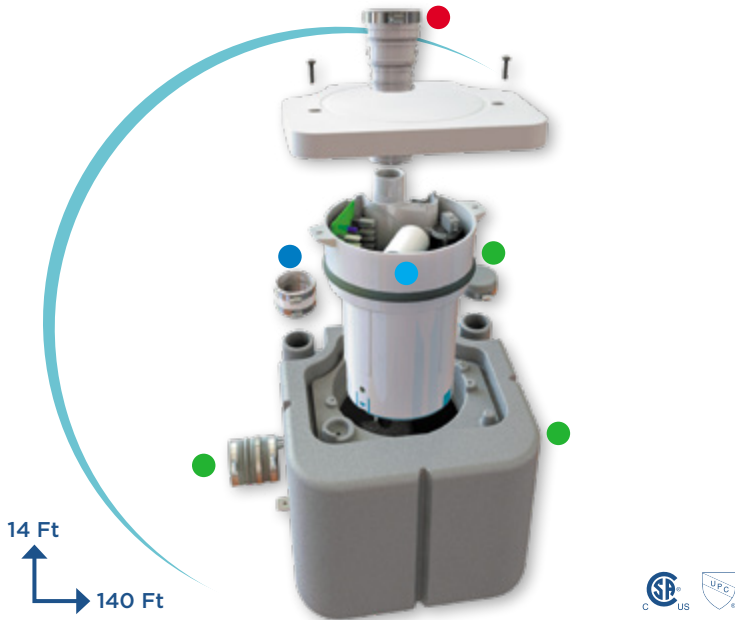


TECHNICAL SPECIFICATIONS

- Pump type:** Drain pump
 - Electrical:** 120 V – 60 Hz / 4.5 Amps (Max)*
 - Motor:** 0.3 HP oil-filled thermally protected motor
 - Capacitor rating:** 30 microfarad
 - Operating Temperature:** 140°F
 - Power cord length:** 48 inches
 - Noise level:** ≤ 44 dBA (Lp) (measured at 3 ft.)
 - Discharge pipe diameter:** 1"- 1-1/2"
 - Discharge rate at 14 ft:** 18 GPM
 - Discharge rate at 3 ft:** 24 GPM
 - Shut-off head:** 25 ft.
 - Normal running time:** 3-5 seconds (Short bursts)
 - Capacity:** 2.75 gallons / 10.4 liters
 - Inlets:** 1-1/2" (sides), 1-1/2" vent (top)
 - Method of activation:** pressure switch/ circuit board
 - Shower base height:** 6" min
 - Weight:** 13 lbs / 5.9 kg
 - Certifying agencies:** CSA (IPC, NSPC)
 - Connections:** Sink, shower, washing machine (indirect), dishwasher, laundry sink, etc.
- * Measured using 1" discharge. Information will vary once the discharge size is increased. Consult with factory.

DIMENSIONAL DRAWINGS





14 Ft
140 Ft



LIGHT COMMERCIAL GRADE

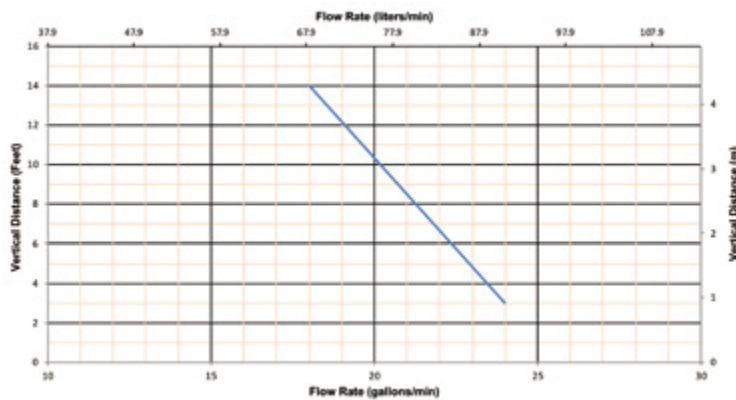
CONNECTIONS

- Discharge: 1", 1-1/4" or 1-1/2"
- Inlet: Two 2" and one 1-1/2"
- Vent: 1-1/2"
- Easy-access to pressure chamber/electrical parts for easy service/replacement.

PRODUCT FEATURES

- Used to pump gray water away from a variety of fixtures in residential and commercial applications.
- The system is able to discharge the waste up to 14 feet vertical and/or 140 feet horizontal.

PUMP CURVE



OPTIONAL ACCESSORIES

Descaler
(Part N° 052)
See page 28

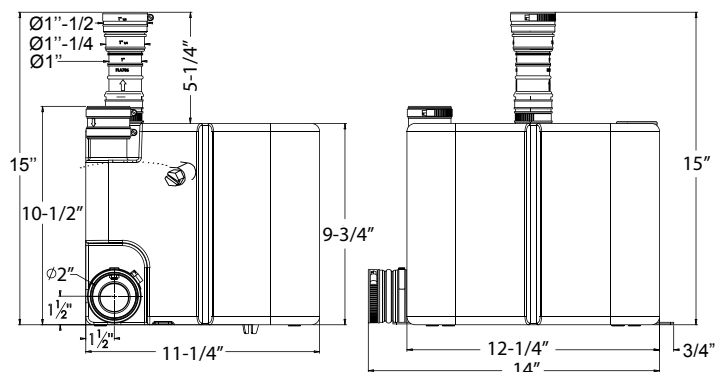


TECHNICAL SPECIFICATIONS

- Pump type:** Drain pump
- Electrical:** 120 V – 60 Hz / 4.5 Amps (Max)*
- Motor:** 0.3 HP oil-filled thermally protected motor
- Capacitor rating:** 30 microfarad
- Operating Temperature:** 140°F
- Power cord length:** 48 inches
- Noise level:** ≤ 44 dBA (Lp) (measured at 3 ft.)
- Discharge pipe diameter:** 1"- 1-1/2"
- Discharge rate at 14 ft:** 18 GPM
- Discharge rate at 3 ft:** 24 GPM
- Shut-off head:** 25 ft.
- Normal running time:** 3-5 seconds (Short bursts)
- Capacity:** 2.9 gallons / 11 liters
- Inlets:** 2" (sides), 1-1/2" vent (top)
- Method of activation:** pressure switch/ circuit board
- Shower base height:** 6" min
- Weight:** 16 lbs / 7.3 kg
- Certifying agencies:** CSA (IPC, NSPC), IAPMO (UPC)
- Connections:** Sink, shower, washing machine (indirect), dishwasher, laundry sink, etc.

* Measured using 1" discharge. Information will vary once the discharge size is increased Consult with factory.

DIMENSIONAL DRAWINGS





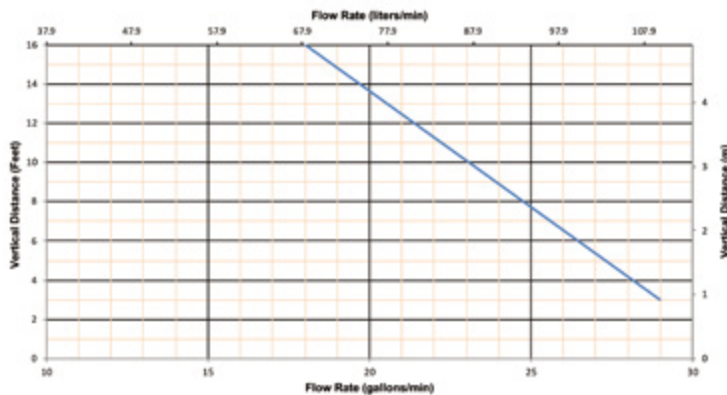
CONNECTIONS

- Discharge: 1", 1-1/4" or 1-1/2"
- Inlet: Two 2" and one 1-1/2"
- Vent: 1-1/2"

PRODUCT FEATURES

- A drain pump used for a variety of fixtures in commercial and residential applications.
- Able to discharge the waste up to 16 feet vertical and/or 150 feet horizontal.
- Capable of handling 3/8" solids as well as grease from residential kitchen applications.

PUMP CURVE



OPTIONAL ACCESSORIES

Sanialarm
(Part N° 050)
See page 28



Descaler
(Part N° 052)
See page 28

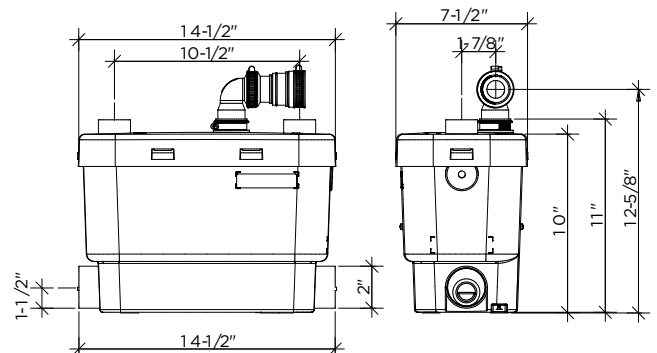


TECHNICAL SPECIFICATIONS

- Pump type:** Drain pump
- Electrical:** 120 V - 60 Hz / 4.5 Amps (Max)*
- Motor:** 0.4 HP oil-filled thermally protected motor
- Capacitor rating:** 18 microfarad
- Operating Temperature:** 140°F
- Power cord length:** 42-1/2 inches
- Noise level:** ≤ 44 dBA (Lp) (measured at 3 ft.)
- Discharge pipe diameter:** 1" - 1-1/2"
- Discharge rate at 16 ft:** 18 GPM
- Discharge rate at 3 ft:** 29 GPM
- Shut-off head:** 30 ft.
- Normal running time:** 3-5 seconds (Short bursts)
- Capacity:** 3.7 gallons / 14 liters
- Inlets:** 2" (sides), 1-1/2" vent (top)
- Method of activation:** Membrane/microswitch
- Shower/bathtub base height:** 6" min
- Weight:** 16 lbs / 7.25 kg
- Certifying agencies:** CSA (IPC, NSPC)
- Connections:** Sink, shower/bathtub, washing machine (indirect), dishwasher, laundry sink, etc.

* Measured using 1" discharge. Information will vary once the discharge size is increased. Consult with factory.

DIMENSIONAL DRAWINGS





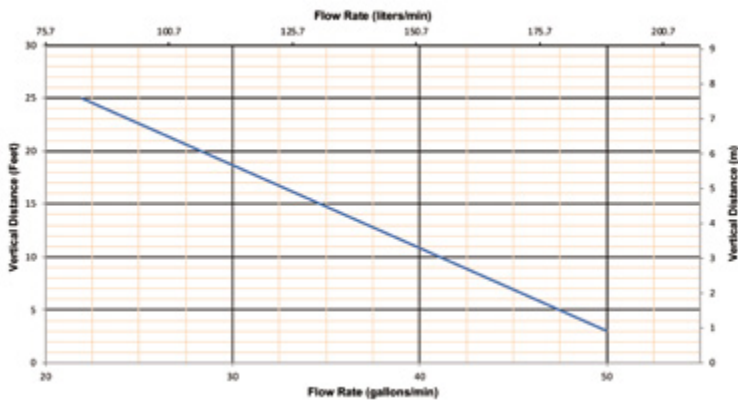
CONNECTIONS

- Discharge: 1"
- Inlet: 2"
- Vent: 1-1/4"

PRODUCT FEATURES

- A simplex drain pump used for a variety of fixtures in commercial and industrial applications.
- Able to discharge the waste up to 25 feet vertical and/or 250 feet horizontal.
- Capable of handling aggressive and hot water up to 194 F.

PUMP CURVE



OPTIONAL ACCESSORIES

Descaler
(Part N° 052)
See page 28



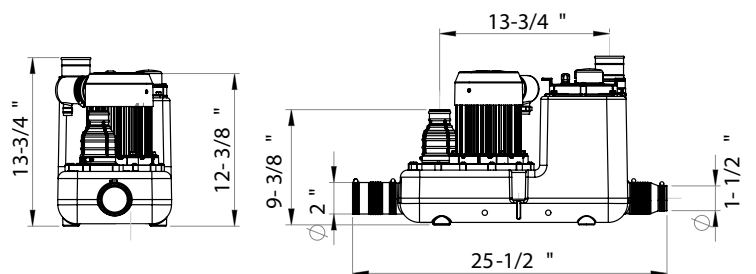
Wired alarm unit



TECHNICAL SPECIFICATIONS

- Pump type:** Simplex drain pump
- Electrical:** 120 V - 60 Hz / 8.3 Amps (Max)
- Motor:** 1.3 HP oil-filled thermally protected motor
- Capacitor rating:** 45 microfarad
- Operating Temperature:** 194°F Max.
- Power cord length:** 50 inches
- Noise level:** ≤ 68 dBA (Lp) (measured at 3 ft.)
- Discharge pipe diameter:** 1"
- Discharge rate at 25 ft:** 22 GPM
- Discharge rate at 3 ft:** 50 GPM
- Shut-off head:** 44 ft.
- Normal running time:** 4-6 Seconds (Short bursts)
- Capacity:** 2.75 gallons / 10.4 liters
- Inlets:** 2" (sides), 1-1/4" vent (top)
- Method of activation:** Pressure switch/ circuit board
- Shower/bathtub base height:** 10" min
- Weight:** 22 lbs / 10 kg
- Certifying agencies:** CSA (IPC, NSPC), IAPMO (UPC)
- Connections:** Commercial sink, dishwasher, washing machine, etc.

DIMENSIONAL DRAWINGS





32 Ft
390 Ft



INDUSTRIAL GRADE

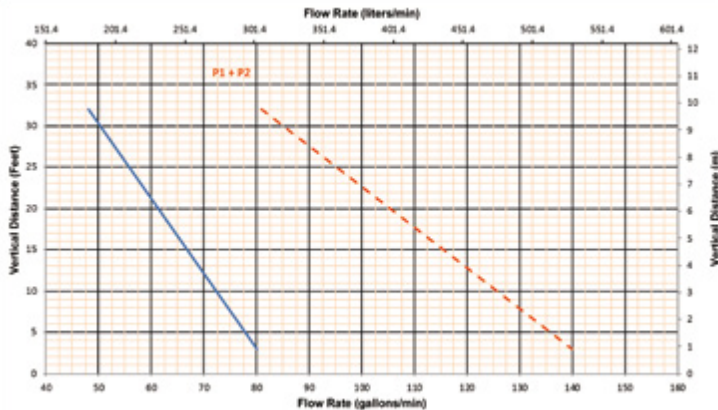
CONNECTIONS

- Discharge: 1-1/2"
- Inlet: 2"
- Vent: 1-1/2"
- Fail proof air pressure switch system with triple redundancy.
- External control panel

PRODUCT FEATURES

- A duplex drain pump used for a variety of fixtures in commercial and industrial applications.
- Able to discharge the waste up to 32 feet vertical and/or 390 feet horizontal.
- Capable of handling up to 194° F water and grease.

PUMP CURVE



OPTIONAL ACCESSORIES

Descaler
(Part N° 052)
See page 28



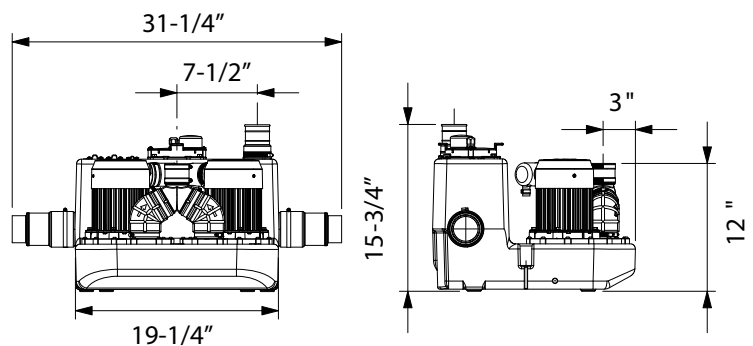
Wired alarm unit



TECHNICAL SPECIFICATIONS

- Pump type:** Duplex drain pump
- Electrical:** 220-240 V (208V min) - 60 Hz / 16 Amps (Max)
- Motor:** 2 x 2 HP oil-filled thermally protected motor
- Capacitor rating:** 2 x 30 microfarad
- Operating Temperature:** 194°F
- Power cord length:** 72 inches
- Noise level:** ≤ 68 dBA (Lp) (measured at 3 ft.)
- Discharge pipe diameter:** 1-1/2"
- Discharge rate at 32 ft:** 81 GPM (Both motors in operation)
- Discharge rate at 3 ft:** 140 GPM (Both motors in operation)
- Shut-off head:** 53 ft.
- Normal running time:** Depends on number of fixtures
- Capacity:** 8.5 gallons / 32 liters
- Inlets:** 2" (sides), 1-1/2" vent (top)
- Method of activation:** Pressure switches, Circuit board
- Shower/bathtub base height:** 10" min
- Weight:** 57 lbs / 35 kg
- Certifying agencies:** CSA (IPC, NSPC), IAPMO (UPC)
- Recommended accessories:** Descaler
- Connections:** Commercial sinks, dishwasher, washing machine, etc.

DIMENSIONAL DRAWINGS



CASE STUDIES

New Jersey Plumber Builds Outdoor Kitchen with Above-Ground Drainage Featuring Compact, but Powerful Gray Water Pump

Licensed plumbing contractor Christopher Gonzalez chooses Saniflo's Saniswift® Pro drain pump to provide drainage for the homeowner's outdoor sink and dishwasher.

PROBLEM

Christopher Gonzalez is the owner and operator of Artifex, a plumbing company that serves the residents of northern New Jersey. With over 20 years of industry experience, Gonzalez works on a wide variety of residential projects, including renovations and additions, as well as heating and cooling install and service work.

Installing an outdoor kitchen is a significant investment that requires careful planning and coordinating. The outdoor space in Montclair is an L-shaped, island countertop that features a grill, smoker, kitchen sink, dishwasher, and a wine fridge. Gonzalez had to make sure the layout aligned smoothly with the locations of the utilities.

He also wanted to make sure the kitchen could withstand the harsh winters of New Jersey. Without having to break through the concrete that was already set, Gonzalez needed an above-floor plumbing solution that could provide the proper drainage for the sink and dishwasher.



You can easily service the Saniswift Pro without removing any piping. The top cover has two removable screws, providing ready access to all electrical components inside. The pump motor can then be quickly lifted from within to remove any foreign objects in the impeller.



SOLUTION

Since Gonzalez was looking for a pump with a compact design that could be discreetly concealed beneath the sink, Saniflo's technical team recommended the **Saniswift® Pro**.

Measuring 9-3/4" x 12-1/4" x 11-1/4", the unit can discharge effluent up to 14 feet vertically and/or 140 feet horizontally from as many as three gray water fixtures; e.g., sink and dishwasher, as was the case for this Montclair project, or even a washing machine (via a laundry sink). For Gonzalez, the discharge pipe had to run a mere 10 feet to the house where it is tied into the mainline.

The top of the **Saniswift® Pro** also has two inlets, each measuring 1.5 inches, for connecting the unit to a venting system, as required by local plumbing codes. Because this was an outdoor application, the vent was open to atmosphere.

"By using the above-the-floor drain pump, there was significant cost and time savings, since we didn't have to dig and install outdoor plumbing," says Christopher.

RESULTS

According to Gonzalez, the entire installation, including running the drain piping from the fixtures, took about three hours. "The space came together beautifully and using the **Saniswift® Pro** pump made the project come together smoothly," he explains. "The homeowner is going to have a great space to gather with family and friends come summertime."

CASE STUDIES

Solving Six Harbors Brewing Company's Wastewater Treatment Challenge with Above-Floor Drain Pump

Long Island-based brewing company collaborates with its manufacturing partner, SmartBrew, to implement a new commercial duplex drain pump in its automated brewing system to dispose of the residue created by the brewing process.

Six Harbors works closely with its manufacturing partner, SmartBrew, in operating its brewing system. SmartBrew has developed a highly efficient and fully automated solution for brewing and fermenting beer.



The Sanicom 2 pump successfully transfers the wastewater from the lower tanks to the holding tank, enabling the brewery to comply with the town's regulations.

PROBLEM

Six Harbors is known for its wide variety of beer styles and welcoming nautical/industrial feel, which beer drinkers would agree is unlike most breweries. Having implemented SmartBrew's automated system, Six Harbors faced a new challenge in managing its wastewater treatment process. As a result of new regulations imposed by Huntington Village, Six Harbors needed to store and treat its wastewater before it could be released into the sewer system.

"SmartBrew's total wastewater volume by design has very low solids with a neutral pH. With that said, there are some customers (less than 3%) who are asked by the municipality to pump wastewater into a settling tank and test it prior to disposing it via the drain. This is where the Saniflo pump is a great solution for our SmartBrew customers," explains Watson.

"We devised a collection method, but our setup required a pumping mechanism to efficiently transport the wastewater from a lower area to our holding tank," he continues. "To address this, my partner and I extensively researched pump solutions and discovered a single pump unit that worked well enough to meet the town's sampling requirements."

SOLUTION

Soon after Six Harbors implemented this single pump unit, SmartBrew approached with a proposal to become a testing ground for a new, high-temperature, commercial duplex drain pump from Saniflo: the **Sanicom® 2**. Six Harbors subsequently agreed to replace its single pump unit with a **Sanicom® 2**.

"With this upgrade, we have achieved even greater efficiency in treating our wastewater before it enters the sewer system," Heuwetter says. SmartBrew's collaboration with Saniflo has allowed the company to address similar challenges other operators face in different towns, ensuring that its wastewater treatment process always meets industry standards.

RESULTS

The pump successfully transferred the wastewater from the lower tanks to the holding tank, enabling the brewery to comply with the town's regulations.

Gus Menocal, a master plumber and partner at Six Harbors Brewing Company, installed the unit and found it user-friendly.

As the first brewery to utilize this system successfully, Six Harbors has showcased the benefits of implementing the Saniflo **Sanicom 2** within their wastewater management process.

In terms of customer feedback, SmartBrew is currently working with another brewery customer who is also in the process of installing and utilizing the Saniflo pump, according to Watson.

Humanitarian organization Showering Love expands

offering of restroom-shower facilities to Florida homeless community

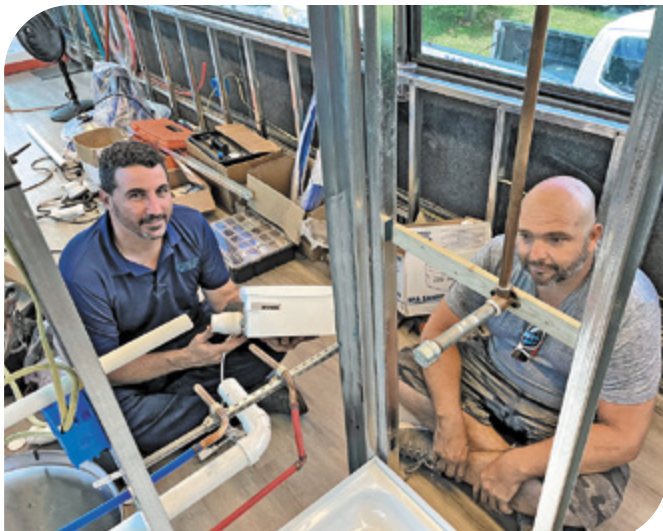
Equipped with three donated Saniflo Sanishower® drain pumps and one Sanibest® Pro grinder pump, the newly refurbished Showering Love bus, Faith, becomes the nonprofit's second vehicle to provide those in need with one of life's basic amenities.

The vision for Showering Love grew out of its founder's own ten years' experience with homelessness. Once Jeanne Albaugh found herself "home" again, she knew she needed to help those suffering the very same adversities.

Incorporated in 2016, Showering Love soon after built its first bus, called Grace, to provide showers and private restrooms to Florida's homeless community from Palm Beach to Miami, FL in a mobile setting. Formerly a city bus, the vehicle has an interior measuring 320 square feet.

When looking to build entirely self-sufficient bathrooms and showers on the bus in a way that would accommodate numerous guests day after day, Gifford conducted intensive research and came upon Saniflo's above-floor plumbing technology.

In 2016, Saniflo donated two **Sanibest Pro** units to handle the effluent drainage and discharge of Grace's two bathrooms. The **Sanibest Pro** is a one-horsepower pump system equipped with a heavy-duty grinder. Its stainless steel cutting blades rotate at 3,600 RPM to easily handle a variety of sanitary articles: condoms, sanitary napkins, Q-tips, dental floss, etc. Once these articles are quickly reduced to a fine slurry capable of moving through narrow-diameter pipe.



Left to right, Robbie Abruscatti and Robert Saunders preparing installation of Saniflo Shower.

FAITH IN ACTION

Originally a tour bus, Faith is now equipped with a new bathroom, three new showers and laundry facilities. Slightly larger than Grace, at 340-square-feet, Faith was able to incorporate the extra amenities of a washer and a dryer, referred to as "Loads of Love."

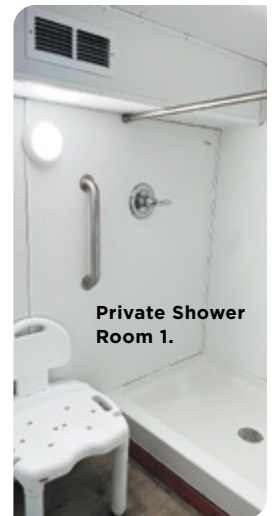
Drainage for all these new facilities is provided by three donated **Sanishower** drain pumps and a **Sanibest Pro**. **Showers:** Regarding the **Sanishower** as the best product solution for this installation, Abruscatti and Saunders installed the three units to handle drainage from the showers. The gravity feed from the freshwater tank permits a 10-minute shower in full privacy.

Bathroom: The new bathroom will be used primarily by staff, while accessible to guests in the case of an emergency. Having decided to tear out the existing facility because it could flush only liquids, Saunders chose the **Sanibest Pro** as the best solution for re-implementing the bathroom.

"The installation of the **Sanibest Pro** took one hour and was a very simple installation," says Saunders.



The common area includes one shared sink connected to the Sanibest Pro and two private shower rooms each connected to a Saniflo Sanishower unit.



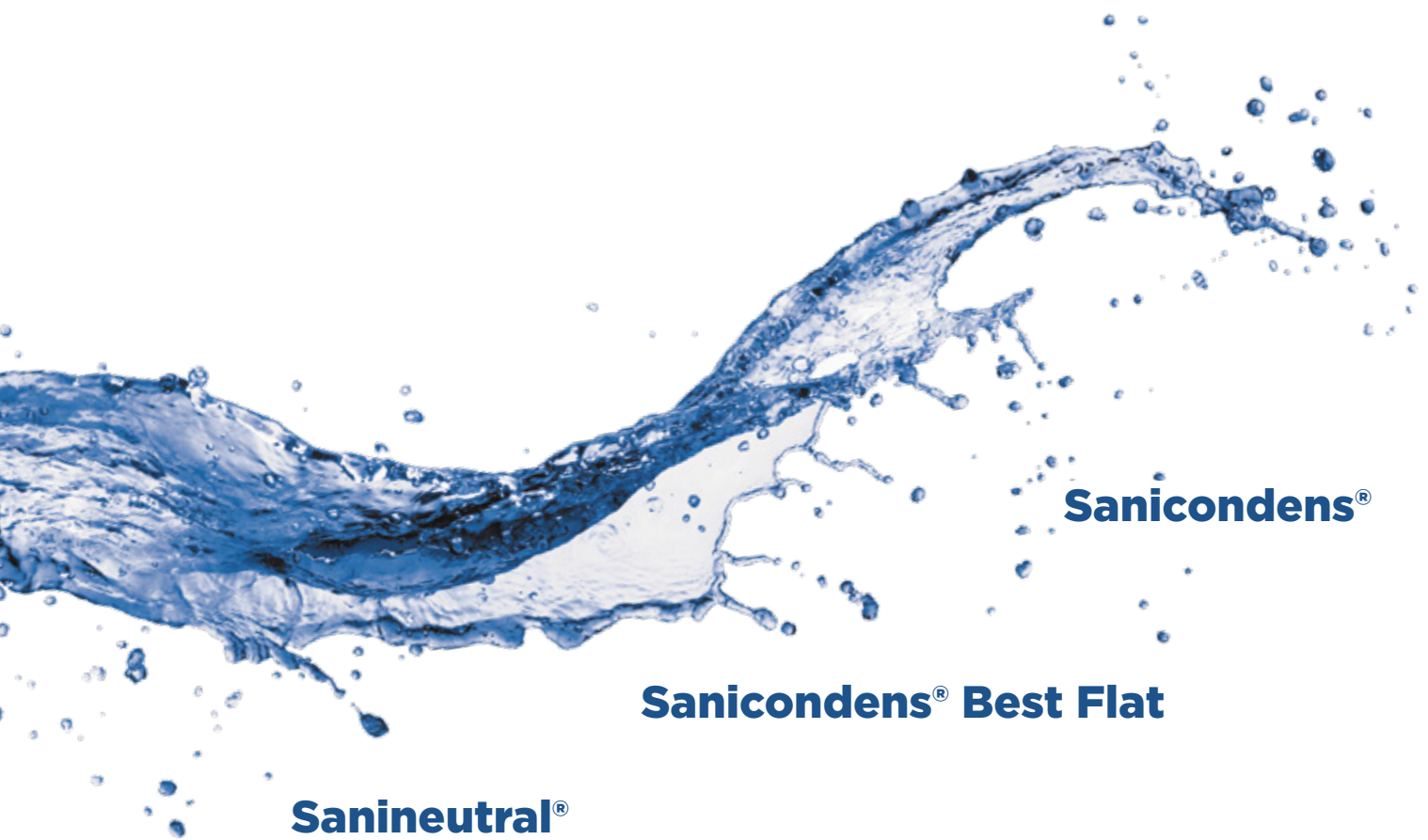
Private Shower Room 1.

GOAL

Since the unveiling of Grace four years ago, Showering Love has provided over 50,000 showers to the homeless with only that first bus. Thanks to Faith's additional shower, the nonprofit hopes to provide even more showers within a quicker time frame, thus having a bigger impact on the community.

"Showering Love wouldn't exist without Saniflo," says Albaugh. "We wouldn't be able to do what we do." Thanks to the latest donations from Saniflo and others, Showering Love is determined to do even more.

CONDENSATE PUMPS



Sanicondens®

Sanicondens® Best Flat

Sanineutral®



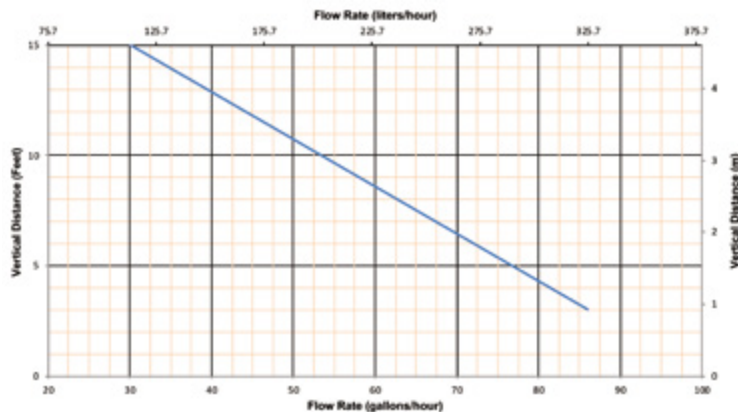
CONNECTIONS

- Discharge: 3/8"
- Inlet: 1"

PRODUCT FEATURES

- A compact pump used to pump condensate from condensing boilers, HVAC systems, water heater systems, etc.
- Pump condensate waste up to 15 feet in height and/or 150 feet away from a soil stack.

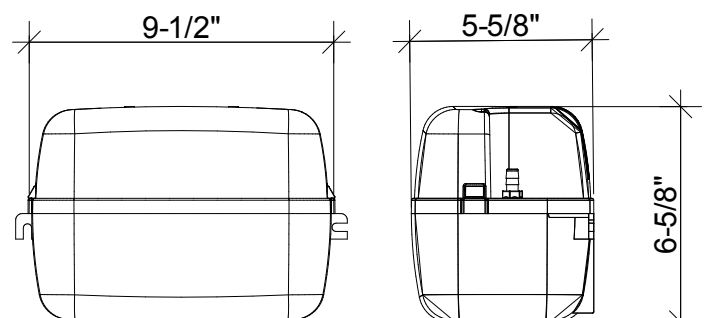
PUMP CURVE

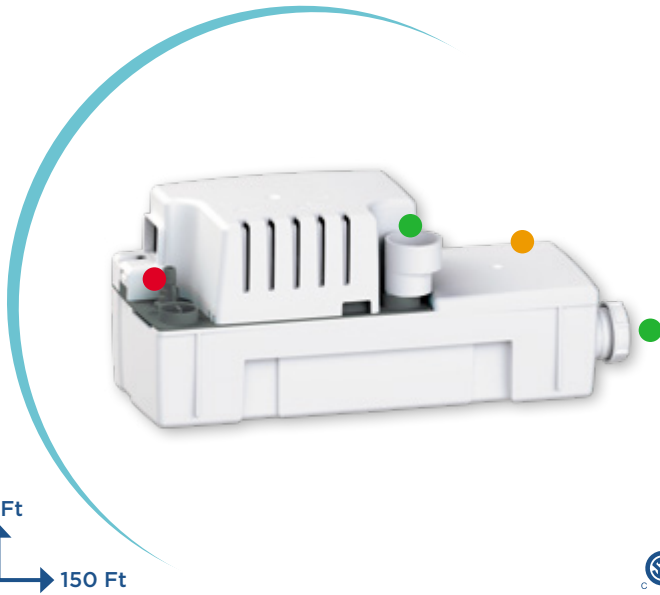


TECHNICAL SPECIFICATIONS

- Pump type:** Condensate Pump
- Electrical:** 120 V - 60 Hz / 1.5 Amps (Max)
- Motor:** 1/30 HP oil-filled thermally protected motor
- Operating Temperature:** 160°F Max
- Power cord length:** 60 inches
- Noise level:** ≤ 44 dBA (Lp) (measured at 3 ft.)
- Discharge pipe diameter:** 3/8"
- Discharge rate at 15 ft:** 30 GPH
- Discharge rate at 3 ft:** 86 GPH
- Normal running time:** 3-5 seconds (Short bursts)
- Capacity:** 0.5 gallons / 1.9 liters
- Inlets:** 1" (top)
- Method of activation:** Float/microswitch
- Weight:** 7 lbs / 3.1 kg
- Certifying agencies:** CSA (IPC, NSPC)
- Connections:** Condensing boiler, HVAC systems, air conditioners

DIMENSIONAL DRAWINGS





15 Ft
150 Ft



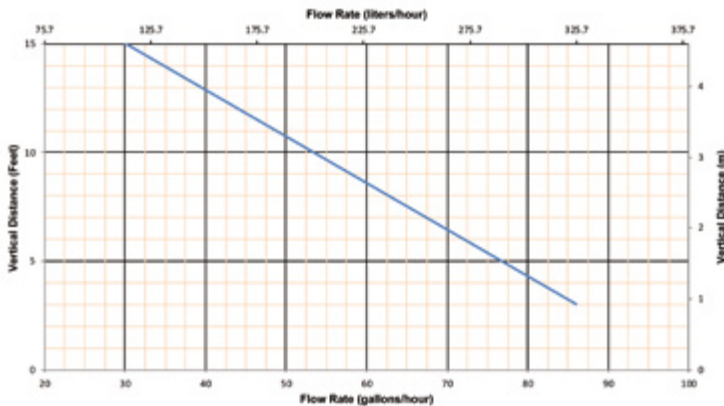
CONNECTIONS

- Discharge: 3/8"
- Inlets
- Comes equipped with a built-in neutralizer to raise pH levels

PRODUCT FEATURES

- A low profile pump used to neutralize and pump condensate from condensing boilers, HVAC systems, water heater systems, etc.
- Pump neutralized condensate waste up to 15 feet in height and/or 150 feet away from a soil stack.
- Will neutralize condensate from appliances up to 500,000 BTU/ hour input.

PUMP CURVE



STANDARD ACCESSORIES

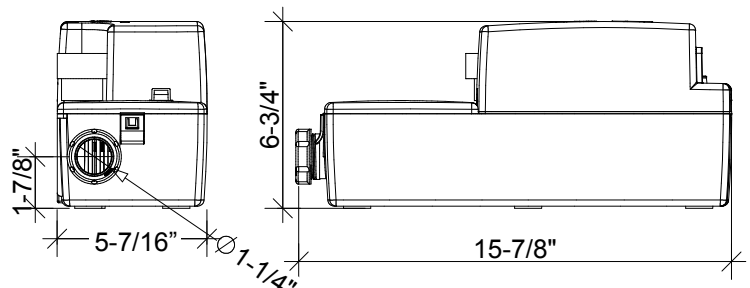
Neutralizing Granules
(Part N° 042)



TECHNICAL SPECIFICATIONS

- Pump type:** Condensate pump
- Electrical:** 120 V - 60 Hz / 1.5 Amps (Max)
- Motor:** 1/30 HP oil-filled thermally protected motor
- Operating Temperature:** 160°F Max
- Power cord length:** 61-1/2 inches
- Noise level:** ≤ 44 dBA (Lp) (measured at 3 ft.)
- Discharge pipe diameter:** 3/8"
- Discharge rate at 15 ft:** 30 GPH
- Discharge rate at 3 ft:** 86 GPH
- Normal running time:** 3-5 sec (Short bursts)
- Capacity:** 0.9 gallons / 3.4 liters
- Inlets:** 1" (top), 1" (side)
- Method of activation:** Float/Microswitch
- Weight:** 12 lbs / 5.4 kg
- Certifying agencies:** CSA (IPC, NSPC)
- Connections:** Condensing boiler, HVAC systems, air conditioners

DIMENSIONAL DRAWINGS





CONNECTIONS

- After the condensate is neutralized, it **exits the enclosure through one of several diameters (1/2" or 3/4" PVC slip or barbed)**. The condensate will **drain through gravity into an existing sewer line**.
- The neutralizing agent will **raise the pH level** of the condensate from harsh HVAC applications. Will neutralize condensate from appliances up to **240,000 BTU/hour input**.
- Discharges **condensate from a condensing boiler or other condensate producing fixtures**. The condensate will drain into the system via **a side inlet that can be adapted to one of several diameters (1/2" or 3/4" PVC slip or barbed)**.

PRODUCT FEATURES

IS A CONDENSATE NEUTRALIZER NECESSARY?

Yes, typical condensate from a condensing boiler has a pH level of 3.2 to 4.5, which is acidic enough to leave stains, kill shrubs, and eat away cast iron drainage systems. It is important to include these systems when designing and plumbing your project.

The Sanineutral is a system **that neutralizes acidic condensate from condensing boilers, HVAC systems, water heater systems, etc.** The Sanineutral works without a pump or it can be placed before the Sanicondens or Sanicondens Best Flat.

STANDARD ACCESSORIES

Neutralizing Granules
(Part N° 042)



TECHNICAL SPECIFICATIONS

Operating Temperature: 160°F Max.

Boiler Capacity up to (BTU/hr) 240,000

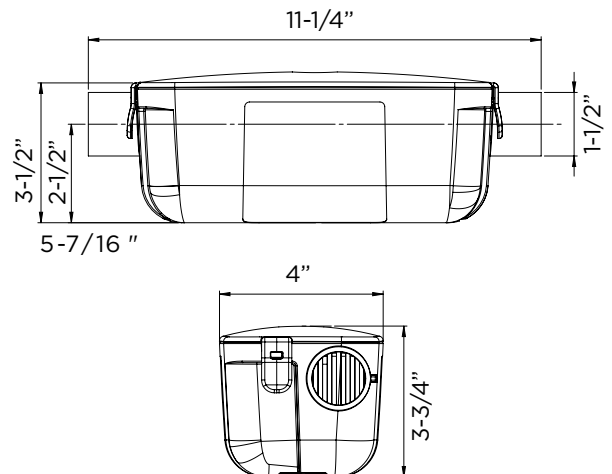
Boiler Capacity up to (kW) 59

Connection diameter (inch) 1/2" or 3/4" PVC slip or barbed

Net Weight (Lbs) 3.7

Load (Lbs) 2.9

DIMENSIONAL DRAWINGS



REASONS WHY SHOULD CONSIDER NOT BREAKING CONCRETE

Red flags to remember: Cutting concrete undermines structural integrity: Any time you cut into a slab, you decrease the foundational integrity of the building — no matter how close to a perfect cut you make. You may be able to patch the hole you create well enough to eliminate any aesthetic objections. But is that floor as solid as it was before you began to cut?

I would bet not — especially if you fail to use the same or a better grade of concrete. And if the home sits on ground that's less than solid, such as



sand, it may begin to settle differently after the cut.

In a multi-floor building, cutting into a slab on the second, third, fourth levels to run plumbing beneath the floor would be a huge no-no. That's why commercial renovation projects that require additional plumbing will typically use external soil stacks, putting the external plumbing tree on the outside of the building. Well, if you shouldn't cut into any of the

upper levels of a building, why would you think you could safely cut into the first level — the slab on which everything else sits?

Cutting concrete is unpredictable: Installers don't always know the depth of the concrete, whether it sits on rocks or a ledge, or whether it contains rebar or tension cables. You can cause major damage if you accidentally cut one of those cables. Professional contractors understand this hazard and never begin cutting without first using an x-ray machine to determine the positioning of the cables. But even then, the slab was most likely designed to use a certain number of cables with a certain amount of concrete. If you begin removing chunks of concrete, those tension wires may begin pulling in a different direction, creating integrity problems and causing delays and extra expense.

Cutting concrete is seldom, if ever, perfect: I may try as hard as I can to cut a perfect circle, square or rectangle into a floor for burying a sewage ejector and its waste-storage basin — but no way. That “perfect” shape will inevitably crack on the edges and fray outward in unintended directions, often well beyond the hole I am digging. And once a stress crack is created, how far down does it extend into the footing or into the walls?

Cutting concrete creates leaks and seepage: Once a stress crack is generated, radon and ground-water penetration is a major issue, with the latter bringing unwanted moisture and mold problems as well.

You don't need a major flood to trigger these hazards. A higher-than-usual water table because of extended wet weather, such as in the spring, could be the culprit. Even if the cracks and seepage are not large enough to jeopardize the foundation, enough wetness could infiltrate to

ruin walls, floors and furnishings in a finished living area — including that beautiful new bathroom that necessitated digging through the concrete in the first place.

OTHER SERIOUS CONCERNS

Of course, there are other negatives you should carefully consider:

Dust, dust and more dust: Breaking through concrete generates an extraordinary amount of noise and dust. Happily, the noise stops when the jackhammers and saws shut down, and the workers finish their backbreaking job of hauling concrete chunks off the premises. But the dust doesn't fade nearly so quickly. That's because it is not conventional household dust, but a thick particulate that inevitably gets into everything, including the central air system, which means it can be around for a long time if not properly handled. I have heard of homeowners finding pockets of concrete dust years after a project finished.

Obviously, this dust is not something you would want your family breathing for any length of time. (You might think the same for your own crews.) Anyone contemplating this type of work must seriously consider what sort of air-purification process is needed to remove all the dust from the premises.

Cost factors: Last, but certainly not least, there's the problem we mentioned at the outset of this article, the one that often proves to be the biggest deal-breaker of all: cost. The actual expense of cutting concrete depends on the size and complexity of the job, as well as local labor availability and rates. In some parts of the nation, the per-foot rate may be a few hundred dollars; in others, \$1,000 or more.

Seeing these costs, some plumbers outsource the work and are content to make little or no markup on their sub's charges. Others, preferring to keep the job in house, absorb the time and cost of renting the cutting and hammering tools and lugging them on and off the job site; or, if they choose to buy, the cost of maintaining and replacing these tools, as well as depreciation.

SANIFLO'S ADVANTAGES AND BENEFITS



Want to **turn an unfinished room** into a finished bathroom or laundry room?

Plan your project using the tools provided on our website to choose the best system for your application.



You can find answers to frequently asked questions by visiting our website or by calling our **live toll free number** and speaking with a certified technician.



Enjoy your new addition with the confidence of owning a **great system from a reputable company** with more than **65 years of experience!**



Find dealers and installers near your area by visiting our website at saniflo.com / saniflo.ca



Download our application to find some of the most common questions and the manuals for each of our products.

Live technical support available to assist with any issues or provide information on warranty services.

Follow us on social media to find out more about Saniflo!



REGISTER AND EXTEND YOUR WARRANTY!



To extend your limited warranty, simply visit our website and complete the online registration form. Standard warranty is two years from date of purchase. Registration is required for the additional extended warranty.

For any questions, please contact us at
800-571-8191 (US)
800-363-5874 (CDN)

TERMS AND CONDITIONS FOR EXTENDED WARRANTY

Product must have been purchased on or after January 1st, 2016 (Proof of purchase is required) and properly registered to qualify for the additional year warranty.

Products purchased on or after January 1st, 2023 (proof of purchase required) and properly registered will qualify to receive two extra years of warranty.

The product must be registered via online by filling out the registration form. A valid copy of the sales receipt will need to be uploaded.

To take advantage of this offer, the warranty must be properly submitted within the first year from date of purchase.

The 2 Year Limited Warranty applies for all products not registered within the first year from date of purchase.

To visit our YouTube channel and view our product videos, please scan the following:



Join our social media network and learn more about our newest solutions:



For pump sizing and selection, for assistance on specifications, or for any questions related to a specific project, please contact us:

US
sfasales@saniflo.com



Canada
projects@saniflo.ca



800-363-5874



saniflo.ca